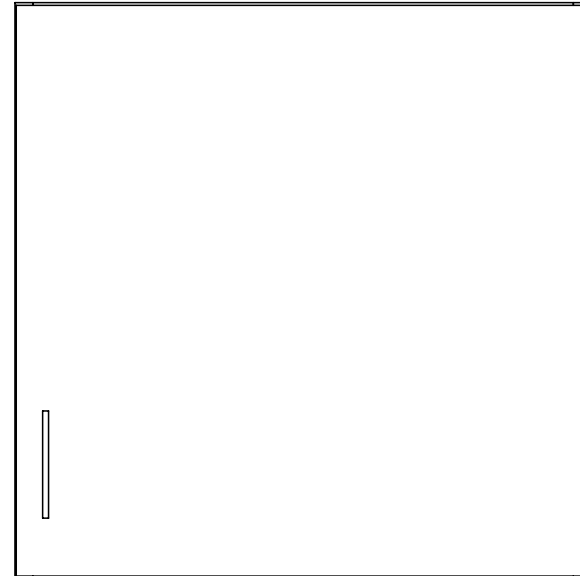


Wall Office Cabinet Single Door

T 12-24 W - 24 T - 12 D

Note: Sizes Can Be Ordered That Are Different Than What Is Above, Call For Details.



Single Door Cabinets Can Be Ordered Hinged (L) Or (R).
Note: The Cabinet On This Page is Hinged (R).

Name:	Address:	ARCHITECTURAL CABINetry Murphybed, Panelbed, Home Office & Closets 790 Big Tree Drive Longwood, FL 32750 www.panelbed.com 407-331-0600 Fax: 407-331-1800
Phone:	Address:	
Job: office instructions wall	City: _____, Zip: _____	
Handle:		

Single Door Wall Cabinet 12"-24"

24x24x12 Wall

Quan	Part	Width	Length
1	Adjustable Shelf	10 15/16	22 1/2
1	Bottom	11 3/16	22 1/2
1	Door Slab	23 7/8	23 3/4
1	Finished Left End	11 15/16	24
1	Finished Right End	11 15/16	24
1	Interior Back	22 1/2	24
1	Top	11 3/16	22 1/2

23x24x12 Wall

Quan	Part	Width	Length
1	Adjustable Shelf	10 15/16	21 1/2
1	Bottom	11 3/16	21 1/2
1	Door Slab	22 7/8	23 3/4
1	Finished Left End	11 15/16	24
1	Finished Right End	11 15/16	24
1	Interior Back	21 1/2	24
1	Top	11 3/16	21 1/2

22x24x12 Wall

Quan	Part	Width	Length
1	Adjustable Shelf	10 15/16	20 1/2
1	Bottom	11 3/16	20 1/2
1	Door Slab	21 7/8	23 3/4
1	Finished Left End	11 15/16	24
1	Finished Right End	11 15/16	24
1	Interior Back	20 1/2	24
1	Top	11 3/16	20 1/2

21x24x12 Wall

Quan	Part	Width	Length
1	Adjustable Shelf	10 15/16	19 1/2
1	Bottom	11 3/16	19 1/2
1	Door Slab	20 7/8	23 3/4
1	Finished Left End	11 15/16	24
1	Finished Right End	11 15/16	24
1	Interior Back	19 1/2	24
1	Top	11 3/16	19 1/2

20x24x12 Wall

Quan	Part	Width	Length
1	Adjustable Shelf	10 15/16	18 1/2
1	Bottom	11 3/16	18 1/2
1	Door Slab	19 7/8	23 3/4
1	Finished Left End	11 15/16	24
1	Finished Right End	11 15/16	24
1	Interior Back	18 1/2	24
1	Top	11 3/16	18 1/2

19x24x12 Wall

Quan	Part	Width	Length
1	Adjustable Shelf	10 15/16	17 1/2
1	Bottom	11 3/16	17 1/2
1	Door Slab	18 7/8	23 3/4
1	Finished Left End	11 15/16	24
1	Finished Right End	11 15/16	24
1	Interior Back	17 1/2	24
1	Top	11 3/16	17 1/2

18x24x12 Wall

Quan	Part	Width	Length
1	Adjustable Shelf	10 15/16	16 1/2
1	Bottom	11 3/16	16 1/2
1	Door Slab	17 7/8	23 3/4
1	Finished Left End	11 15/16	24
1	Finished Right End	11 15/16	24
1	Interior Back	16 1/2	24
1	Top	11 3/16	16 1/2

17x24x12 Wall

Quan	Part	Width	Length
1	Adjustable Shelf	10 15/16	15 1/2
1	Bottom	11 3/16	15 1/2
1	Door Slab	16 7/8	23 3/4
1	Finished Left End	11 15/16	24
1	Finished Right End	11 15/16	24
1	Interior Back	15 1/2	24
1	Top	11 3/16	15 1/2

Single Door Wall Cabinet 12"-24"

16x24x12 Wall

Quan	Part	Width	Length
1	Adjustable Shelf	10 15/16	14 1/2
1	Bottom	11 3/16	14 1/2
1	Door Slab	15 7/8	23 3/4
1	Finished Left End	11 15/16	24
1	Finished Right End	11 15/16	24
1	Interior Back	14 1/2	24
1	Top	11 3/16	14 1/2

12x24x12 Wall

Quan	Part	Width	Length
1	Adjustable Shelf	10 15/16	10 1/2
1	Bottom	11 3/16	10 1/2
1	Door Slab	11 7/8	23 3/4
1	Finished Left End	11 15/16	24
1	Finished Right End	11 15/16	24
1	Interior Back	10 1/2	24
1	Top	11 3/16	10 1/2

15x24x12 Wall

Quan	Part	Width	Length
1	Adjustable Shelf	10 15/16	13 1/2
1	Bottom	11 3/16	13 1/2
1	Door Slab	14 7/8	23 3/4
1	Finished Left End	11 15/16	24
1	Finished Right End	11 15/16	24
1	Interior Back	13 1/2	24
1	Top	11 3/16	13 1/2

14x24x12 Wall

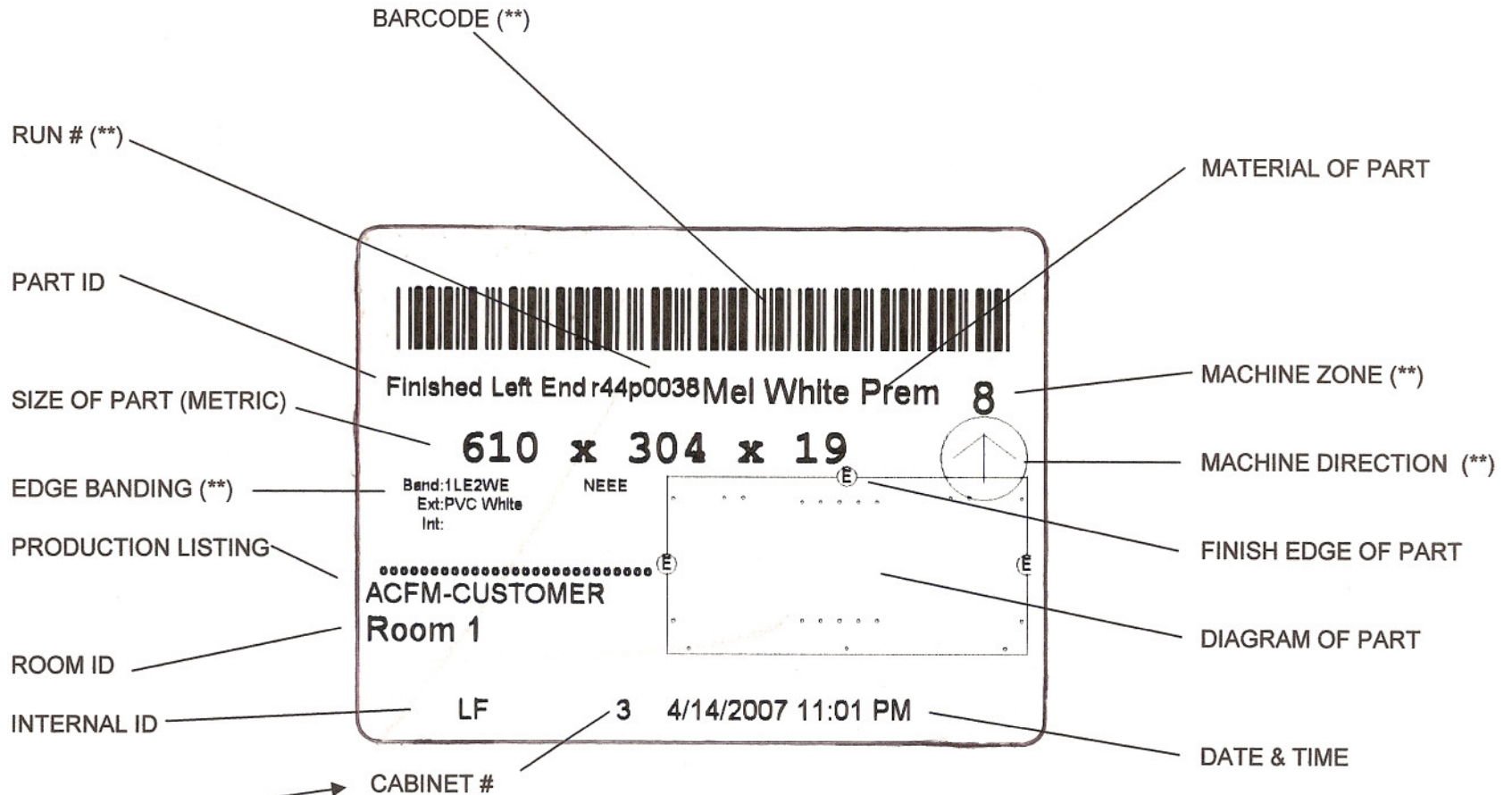
Quan	Part	Width	Length
1	Adjustable Shelf	10 15/16	12 1/2
1	Bottom	11 3/16	12 1/2
1	Door Slab	13 7/8	23 3/4
1	Finished Left End	11 15/16	24
1	Finished Right End	11 15/16	24
1	Interior Back	12 1/2	24
1	Top	11 3/16	12 1/2

13x24x12 Wall

Quan	Part	Width	Length
1	Adjustable Shelf	10 15/16	11 1/2
1	Bottom	11 3/16	11 1/2
1	Door Slab	12 7/8	23 3/4
1	Finished Left End	11 15/16	24
1	Finished Right End	11 15/16	24
1	Interior Back	11 1/2	24
1	Top	11 3/16	11 1/2

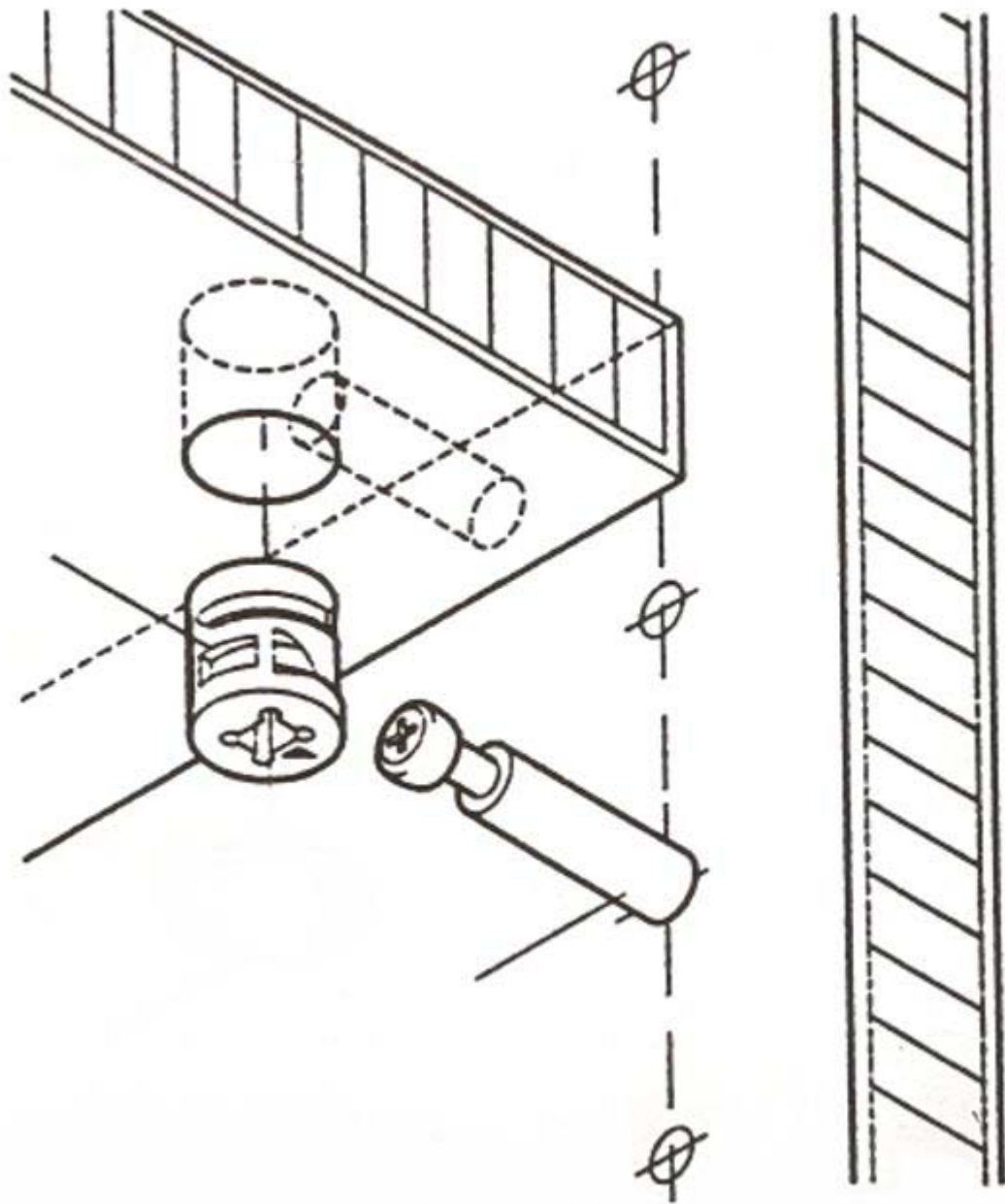
LABEL INFORMATION

THIS PAGE IS FOR UNDERSTANDING THE LABEL ON EACH PART, THIS ALLOWS YOU TO KNOW WHAT INFORMATION THIS PART HAS AND HOW IT PERTAINS TO YOUR ORDER.



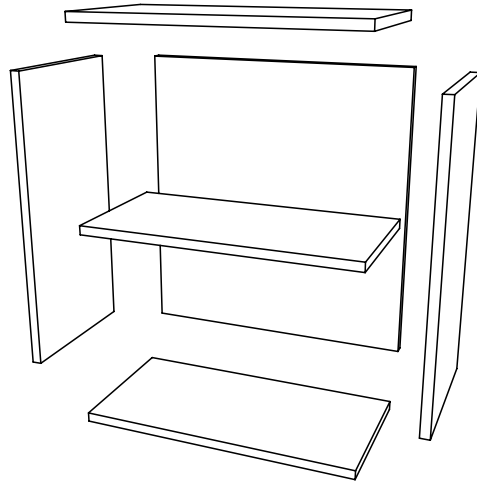
***** WE RECOMMEND THE 1ST THING YOU DO, IS TO SORT ALL YOUR PARTS BY (CABINET #) *****
 THIS ENABLES YOU TO SEE ALL THE PARTS FOR EACH CABINET AND MAKES ASSEMBLE EASIER

ANY NOTATION WITH (**) IS INFORMATION USED IN FOR FACTORY AND WOULD NOT HELP YOU

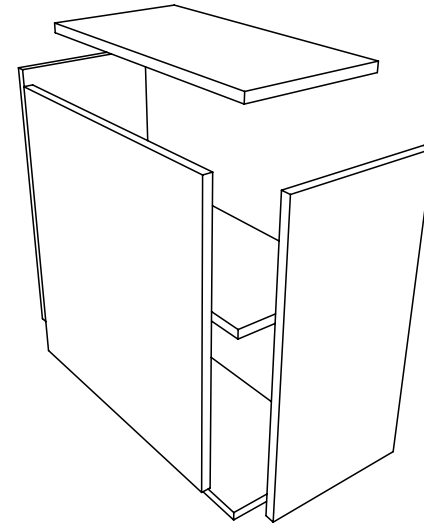


Typical Pin & Cam Installation

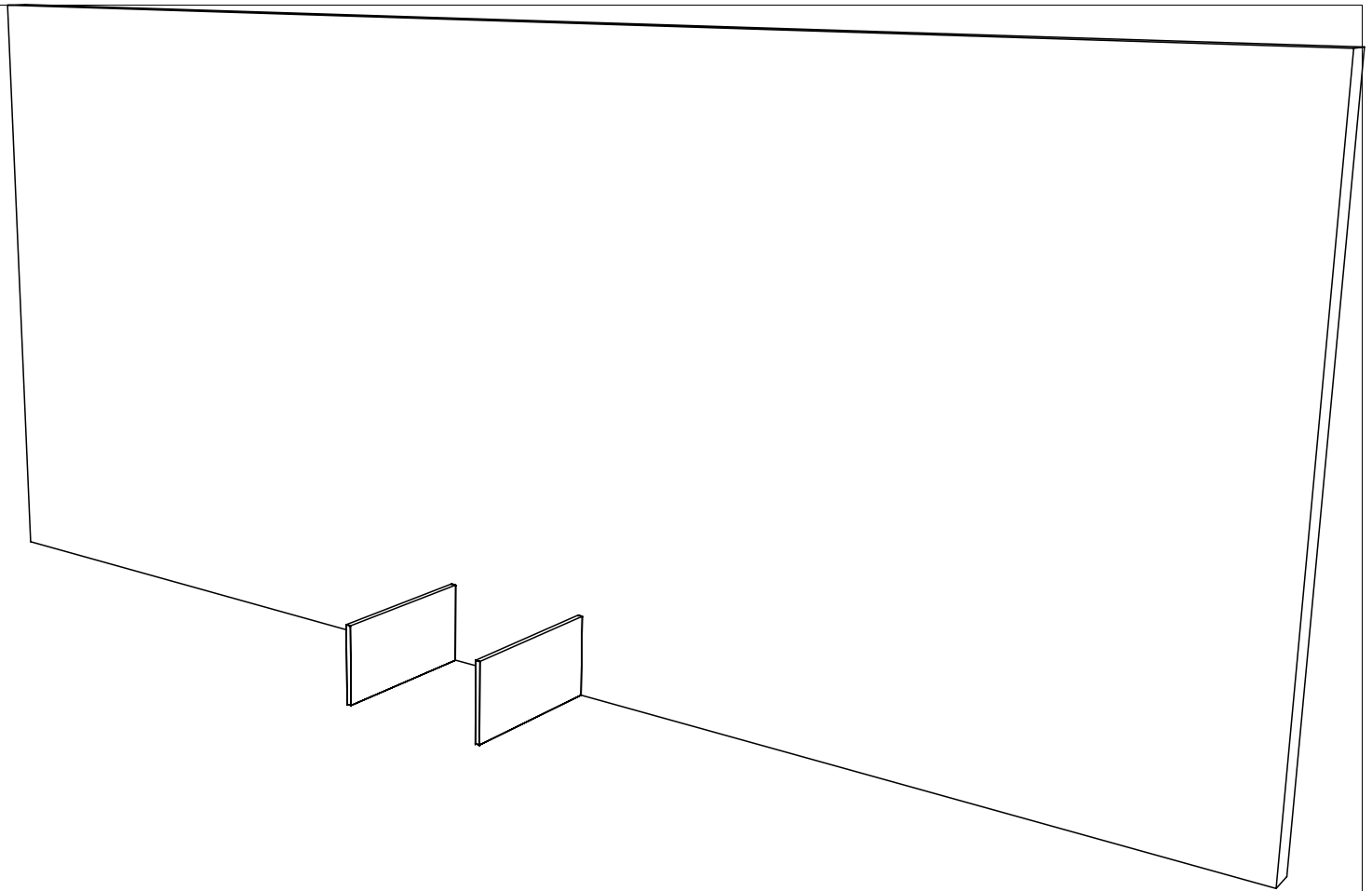
Front View



Rear View

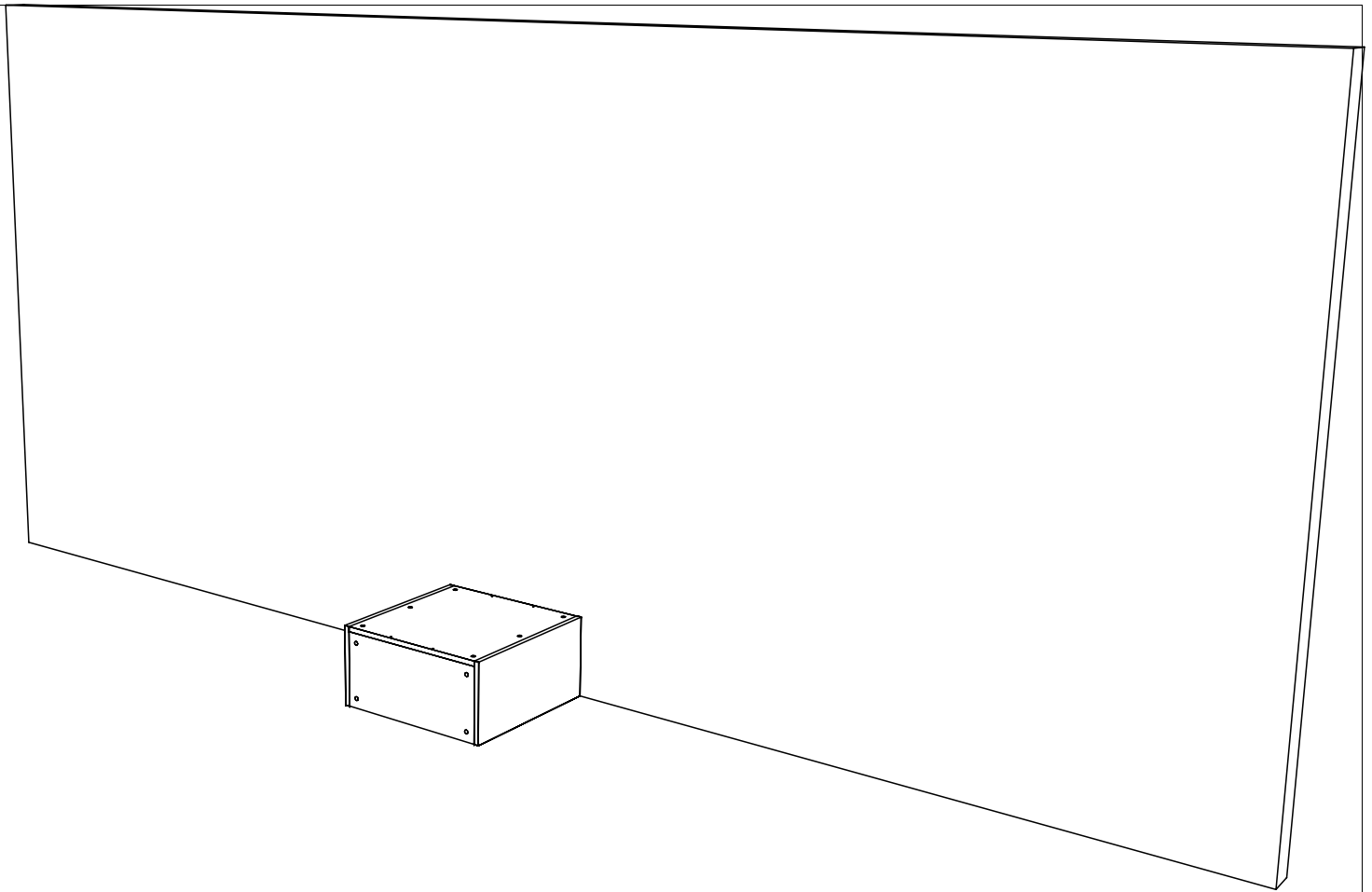


When Assembling The Cabinet Parts, The 1st Thing Is To Assemble The Bottom, Top & Back To The Sides.

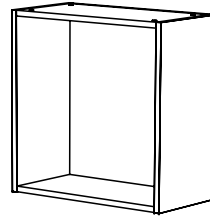


Lay Down Both Sides Of The Cabinet, You Want The Front Face Touching The Floor. Install All Pins & Hinges Plates Into The Sides At This Point.

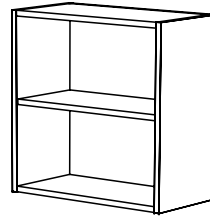
Note: Place Cardboard Or A Blanket Down On The Floor, Before Laying Cabinet Sides Down On The Floor.



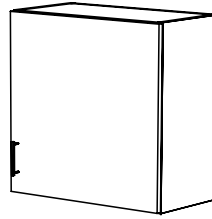
Place The Top, Bottom & Back Between The 2 Sides And Slide On The Pins,
Do Not Tighten The Pins & Cams Until All Are Into Position And Then Tighten
All Of Them.



After Tightening The Pins & Cams, Then Stand Up The Cabinet To The Wall.
Move The Cabinet Into The Exact Location That You Want It To Be Along
The Wall.



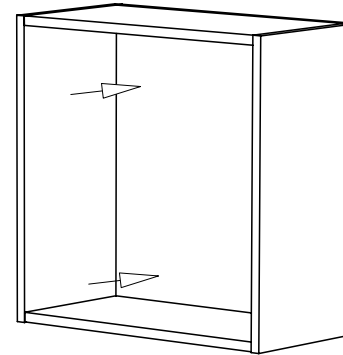
Now Install The Adjustable Shelves Into Place. Most Often Use The Center Hole, Or Move If Needed. The Standard is 5 Holes Per Adjustable Shelf.



Now That The Cabinet Is Assembled, You Are Ready To Start The Assembly Of The Doors.

Note: If Your Cabinet Has A Single Door, It May Be Hinged Opposite Of The Cabinet Above.

Use 2 1/2" Screws For Wood Studs



Note: Use 2 Screws Per Stud
Best If Studs Are On 16" Centers

Note: Wall Cabinet Has To Be Plumb & Level, Before Securing It To The Wall.

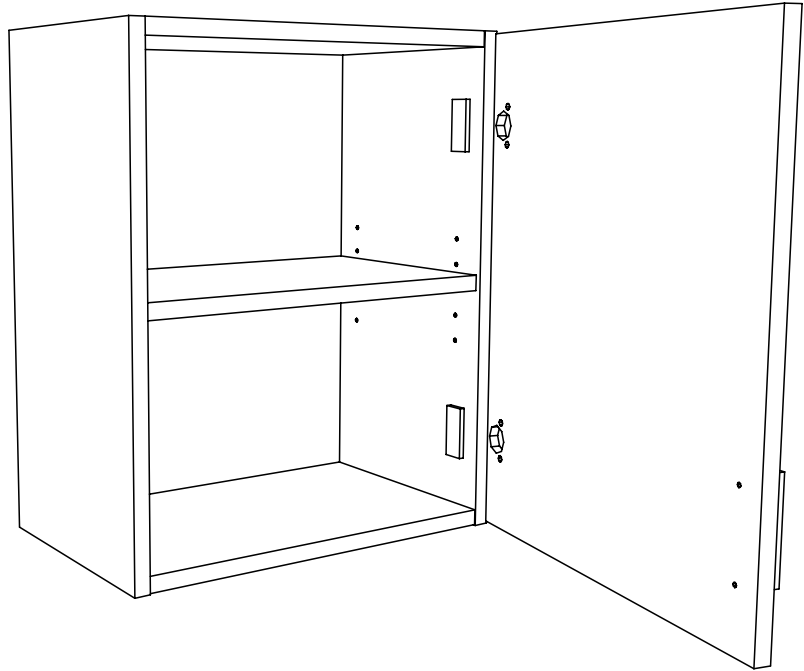
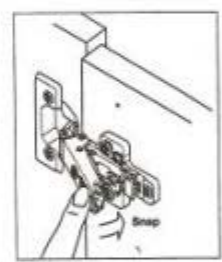
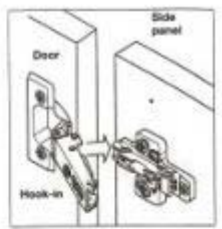
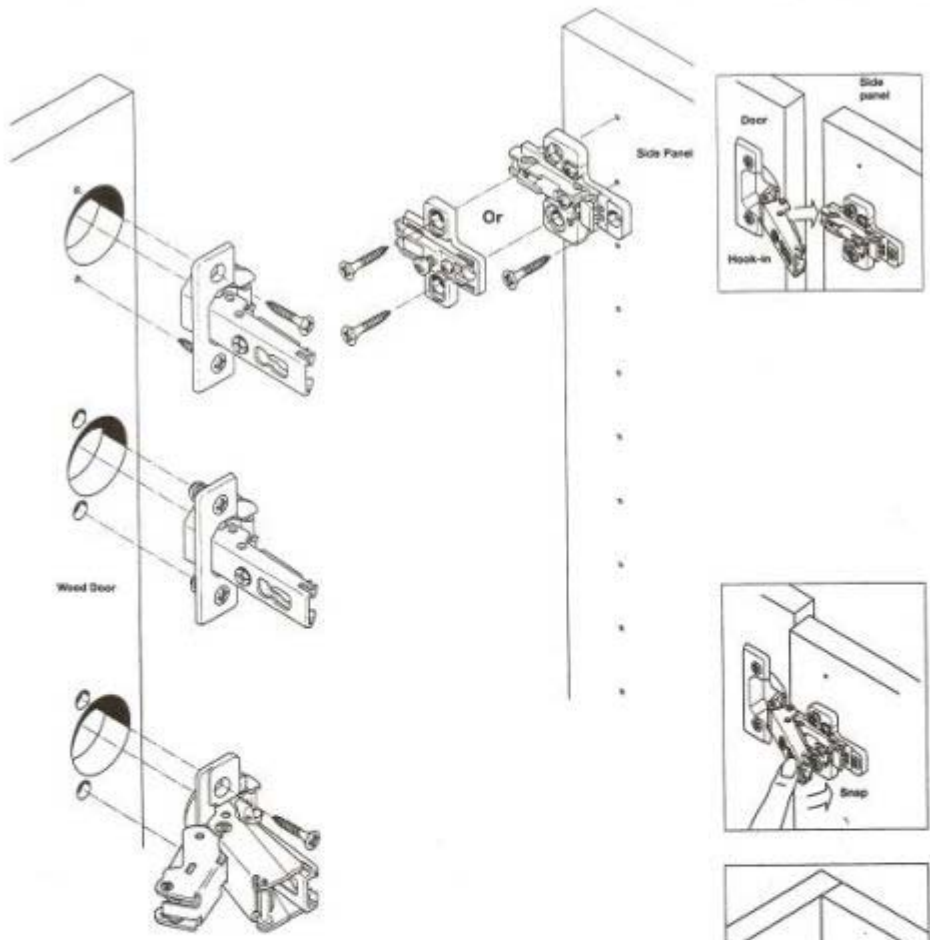
Now That The Wall Cabinet Is Standing Up And Is In The Correct Location, You Will Need To Secure It To The Wall. Depending On Your Wall Construction, You Will Need To Choose The Type Of Fastener To Safely Secure The Wall Cabinet To The Wall.

--- Typical Wall Construction ---

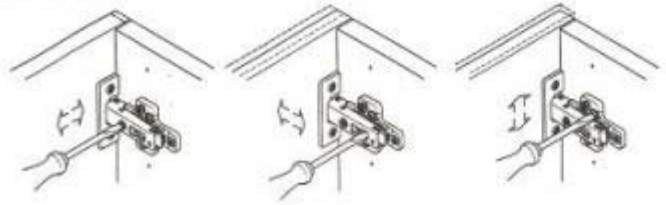
2x4 Wood Stud (Use 2 1/2" Drywall Screws)

Concrete (Use 2" Tap Con Screws)

Metal Studs (We Discourage Using Metal Studs)



Adjustments



Horizontal
by screw adjustment

In and out
by loosening the hinge-arm
mounting screw

Vertical
via slots in the mounting plate

Dimensional data not binding.
We reserve the right to alter
specifications without notice.

Dimensions in mm