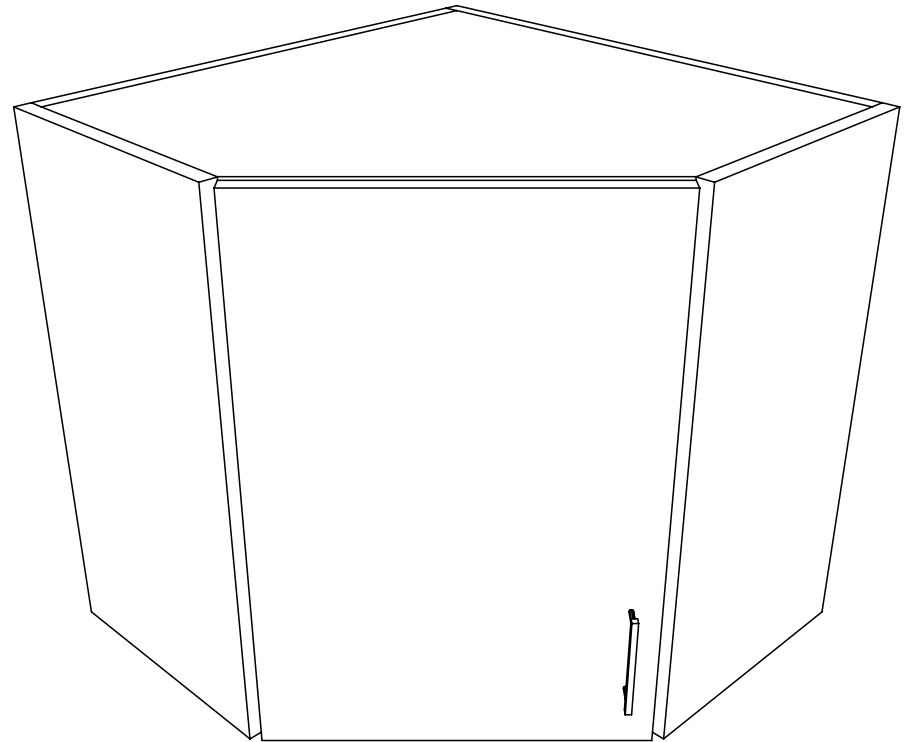


Wall Office Diagonal Cabinet Single Door

U 24 W - 24 T - 12 D



Note: Sizes Can Be Ordered That Are Different Than What Is Above, Call For Details.

Single Door Cabinets Can Be Ordered Hinged (L) Or (R).
 Note: The Cabinet On This Page is Hinged (L).

| | | |
|-----------------------------------|-------------------------|--|
| Name: | Address: | ARCHITECTURAL CABINetry Murphybed, Panelbed, Home Office & Closets 790 Big Tree Drive Longwood, FL 32750 www.panelbed.com 407-331-0600 Fax: 407-331-1800 |
| Phone: | Address: | |
| Job: office instructions wall dia | City: _____, Zip: _____ | |
| Handle: | | |
| | | |

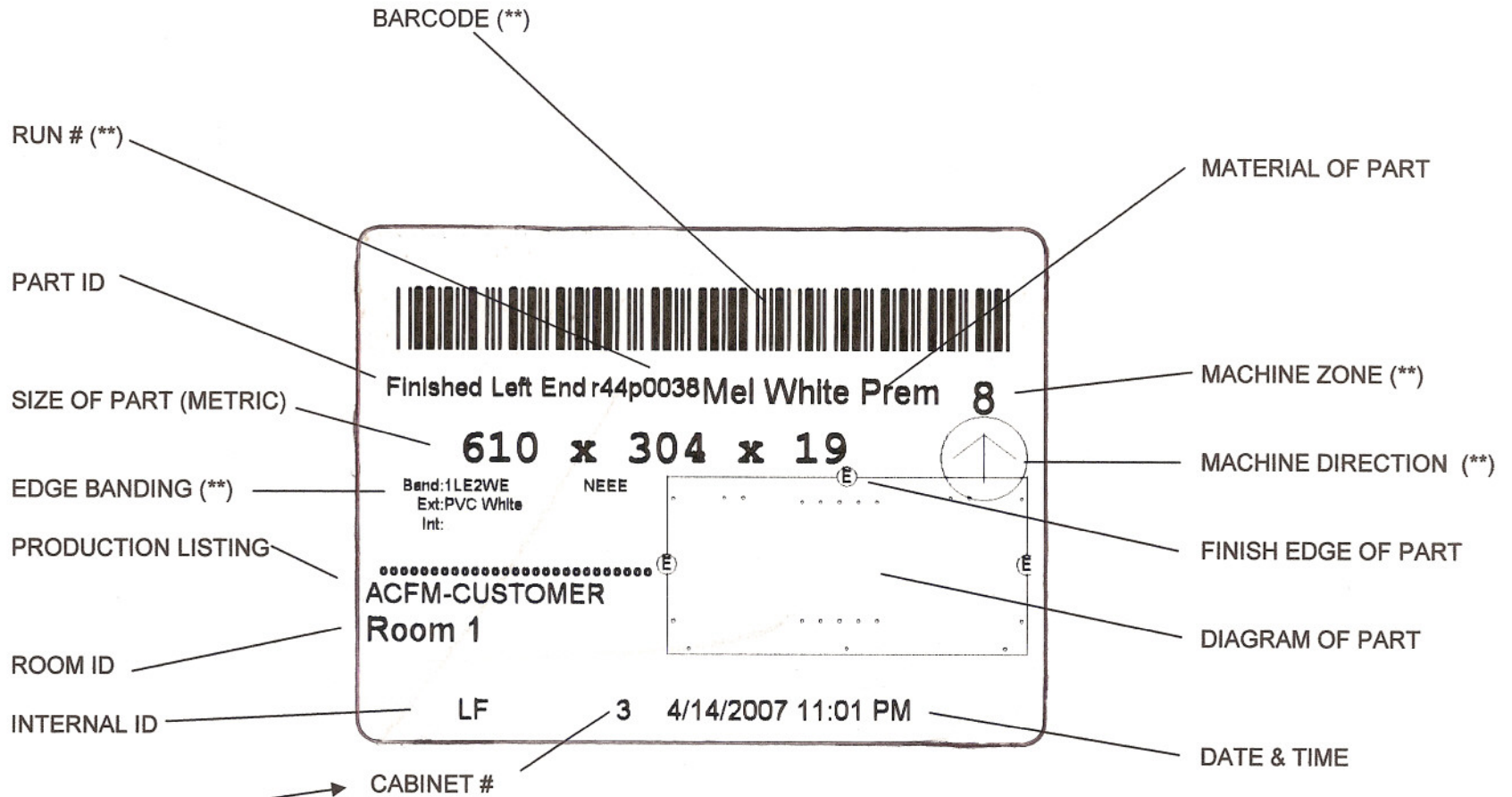
Wall Cabinet Diagonal 24x24x24 (12" Deep Sides)

Diagonal Wall

| Quan | Part | Width | Length |
|------|--------------------|----------|--------|
| 1 | Adjustable Shelf | 22 1/2 | 22 1/2 |
| 1 | Bottom | 22 1/2 | 22 1/2 |
| 1 | Door Slab | 15 15/16 | 23 3/4 |
| 1 | Finished Left End | 12 | 24 |
| 1 | Finished Right End | 12 | 24 |
| 1 | Interior Back | 23 1/4 | 24 |
| 1 | Interior Back | 22 1/2 | 24 |
| 1 | Top | 22 1/2 | 22 1/2 |

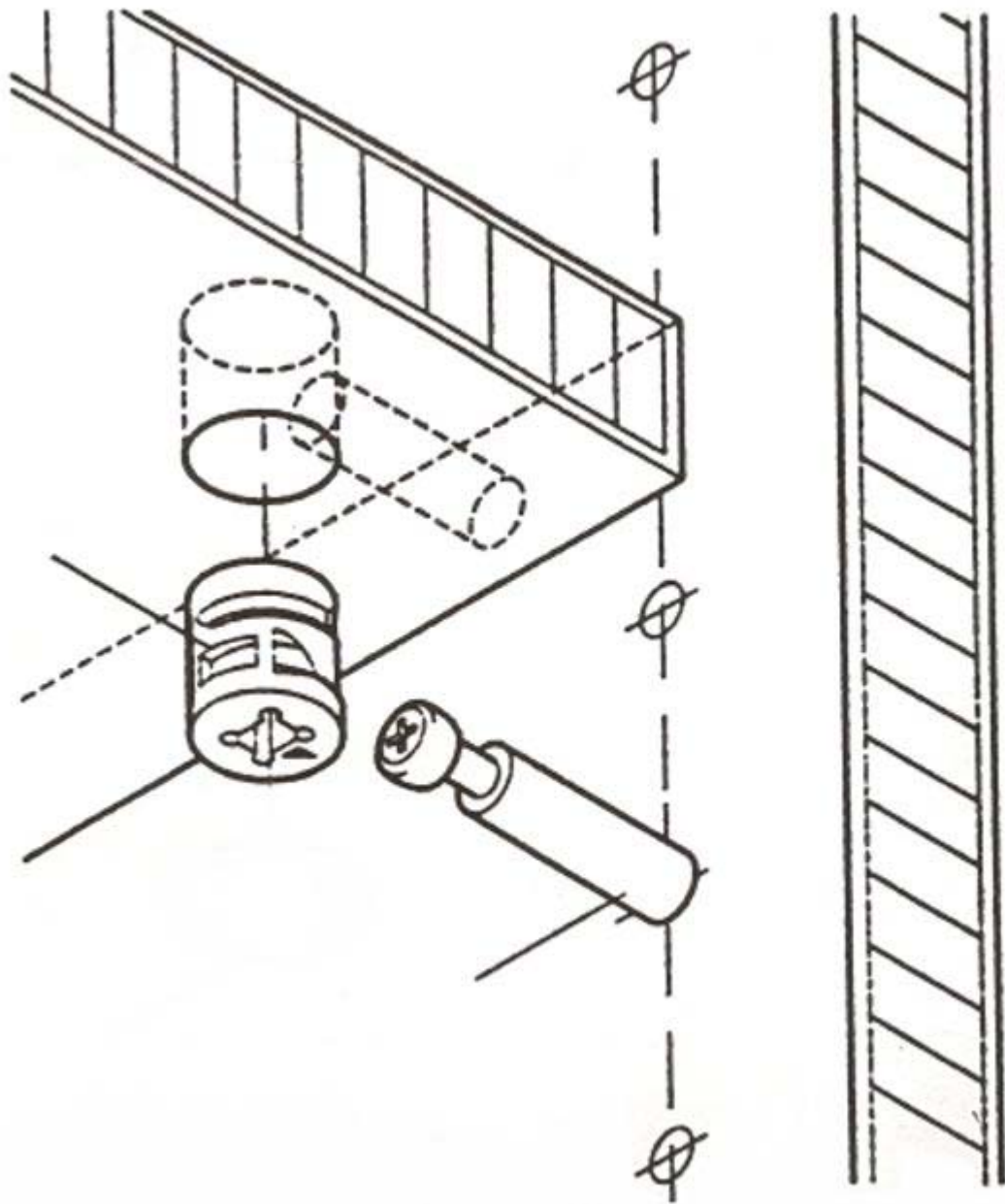
LABEL INFORMATION

THIS PAGE IS FOR UNDERSTANDING THE LABEL ON EACH PART, THIS ALLOWS YOU TO KNOW WHAT INFORMATION THIS PART HAS AND HOW IT PERTAINS TO YOUR ORDER.



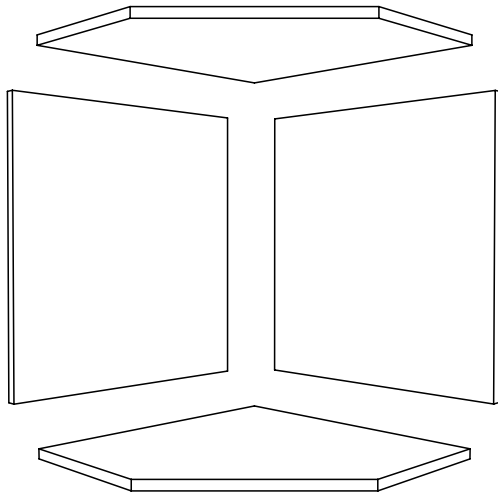
***** WE RECOMMEND THE 1ST THING YOU DO, IS TO SORT ALL YOUR PARTS BY (CABINET #) *****
THIS ENABLES YOU TO SEE ALL THE PARTS FOR EACH CABINET AND MAKES ASSEMBLE EASIER

ANY NOTATION WITH (**) IS INFORMATION USED IN FOR FACTORY AND WOULD NOT HELP YOU

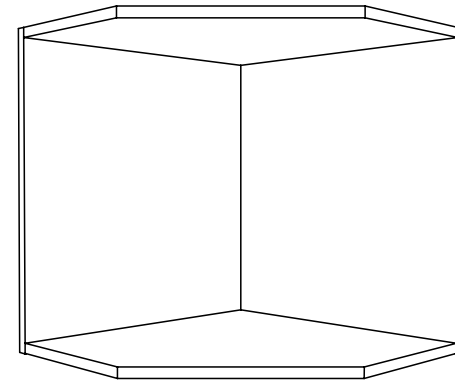


Typical Pin & Cam Installation

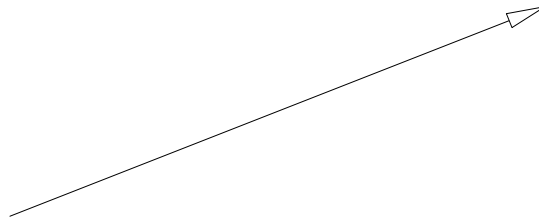
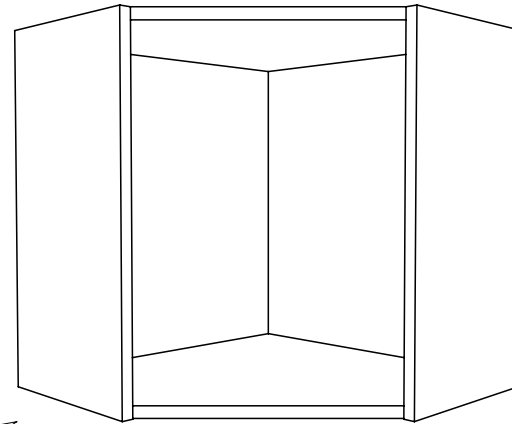
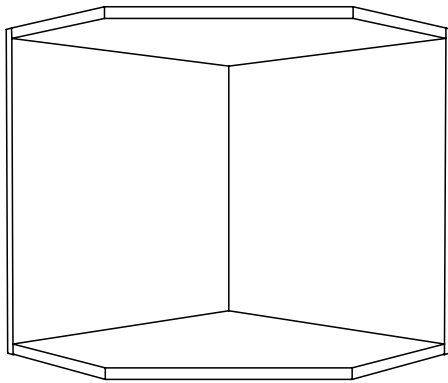
Exploded View



Assembled View

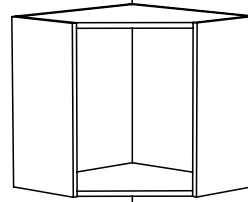


When Assembling The Cabinet Parts, The 1st Thing Is To Assemble The Bottom, Top & Backs.

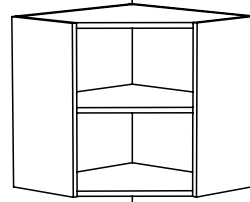


Now That The Bottom, Top & Backs Are Assembled, You Now Want To Add On The Sides. When you Install The Sides, Make Sure You Have The Pins & Hinge Plates Installed First.

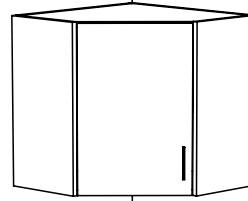
Note: Place Cardboard Or A Blanket Down On The Floor, Before Laying Cabinet Sides Down On The Floor.



Now That The Diagonal Wall Cabinet Is Assembled, You Want To Place It In The Corner. Place It At The Desired Height.



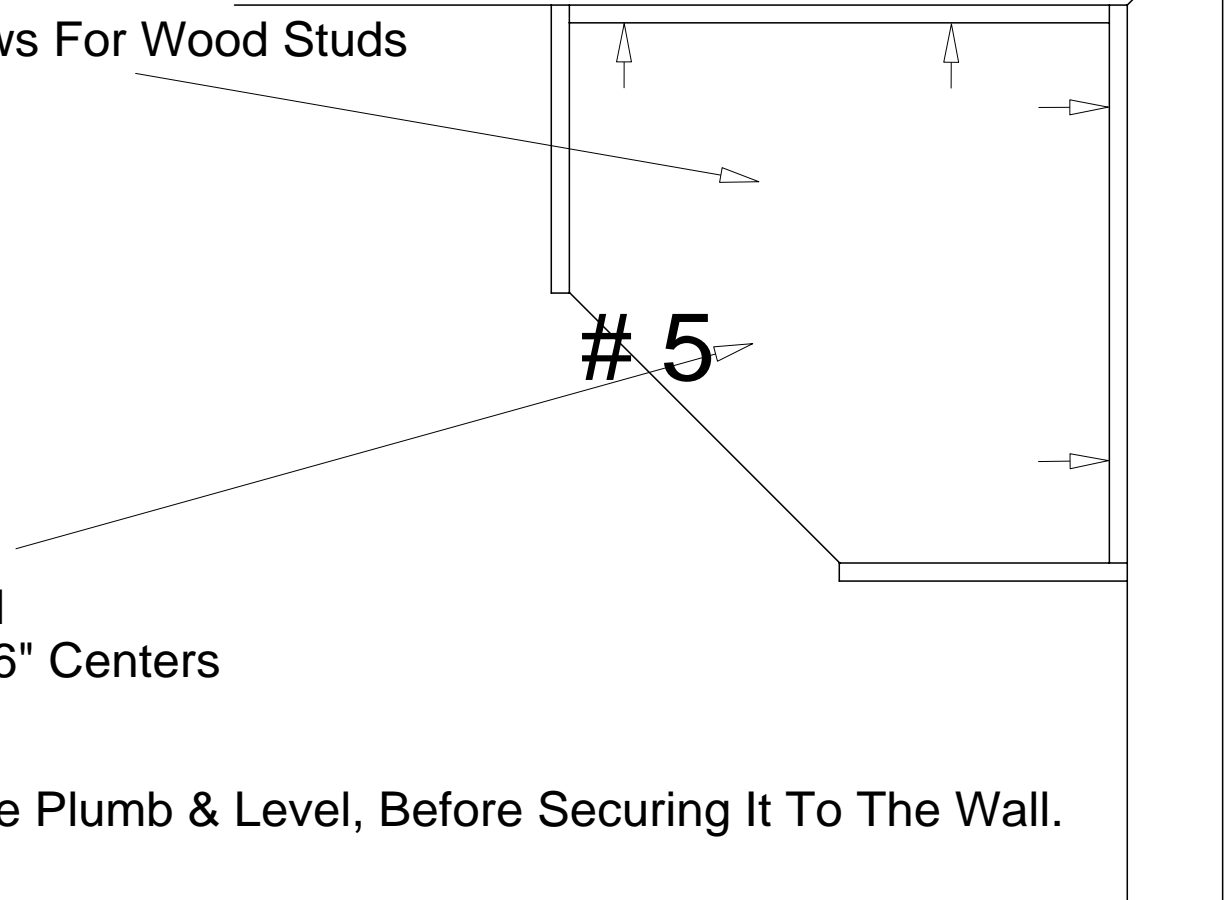
Now Install The Adjustable Shelves Into Place. Most Often Use The Center Hole, Or Move If Needed. The Standard is 5 Holes Per Adjustable Shelf.



Now That The Cabinet Is Assembled, You Are Ready To Start The Assembly Of The Door.

Note: If Your Cabinet Has A Single Door, It May Be Hinged Opposite Of The Cabinet Above.

Use 2 1/2" Screws For Wood Studs



Note: Use 2 Screws Per Stud
Best If Studs Are On 16" Centers

Note: Wall Cabinet Has To Be Plumb & Level, Before Securing It To The Wall.

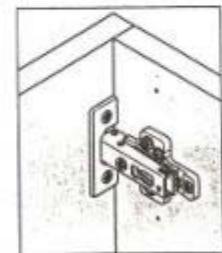
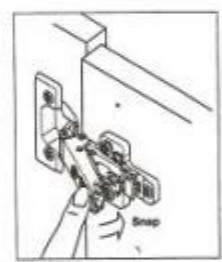
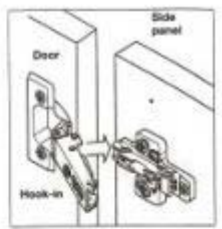
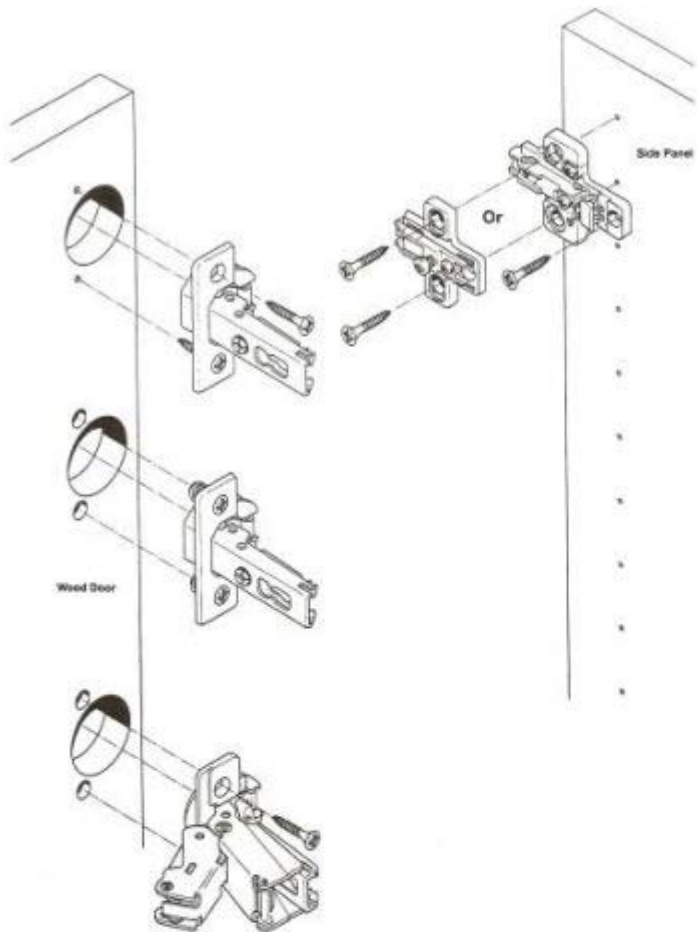
Now That The Wall Cabinet Is Standing Up And Is In The Correct Location, You Will Need To Secure It To The Wall. Depending On Your Wall Construction, You Will Need To Choose The Type Of Fastener To Safely Secure The Wall Cabinet To The Wall.

--- Typical Wall Construction ---

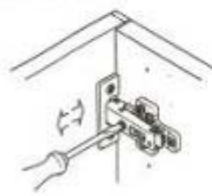
2x4 Wood Stud (Use 2 1/2" Drywall Screws)

Concrete (Use 2" Tap Con Screws)

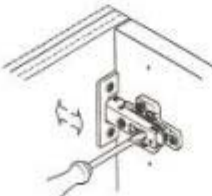
Metal Studs (We Discourage Using Metal Studs)



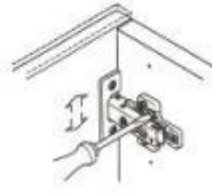
Adjustments



Horizontal
by screw adjustment



In and out
by loosening the hinge-arm
mounting screw



Vertical
via slots in the mounting plate

Dimensions in mm

Dimensional data not binding.
We reserve the right to alter
specifications without notice.

