

Double Door Wall Cabinet 24"-36"

36x24x12 Wall

Quan	Part	Width	Length
1	Adjustable Shelf	10 15/16	34 1/2
1	Bottom	11 3/16	34 1/2
2	Door Slab	17 7/8	23 3/4
1	Finished Left End	11 15/16	24
1	Finished Right End	11 15/16	24
1	Interior Back	34 1/2	24
1	Top	11 3/16	34 1/2

35x24x12 Wall

Quan	Part	Width	Length
1	Adjustable Shelf	10 15/16	33 1/2
1	Bottom	11 3/16	33 1/2
2	Door Slab	17 3/8	23 3/4
1	Finished Left End	11 15/16	24
1	Finished Right End	11 15/16	24
1	Interior Back	33 1/2	24
1	Top	11 3/16	33 1/2

34x24x12 Wall

Quan	Part	Width	Length
1	Adjustable Shelf	10 15/16	32 1/2
1	Bottom	11 3/16	32 1/2
2	Door Slab	16 7/8	23 3/4
1	Finished Left End	11 15/16	24
1	Finished Right End	11 15/16	24
1	Interior Back	32 1/2	24
1	Top	11 3/16	32 1/2

33x24x12 Wall

Quan	Part	Width	Length
1	Adjustable Shelf	10 15/16	31 1/2
1	Bottom	11 3/16	31 1/2
2	Door Slab	16 3/8	23 3/4
1	Finished Left End	11 15/16	24
1	Finished Right End	11 15/16	24
1	Interior Back	31 1/2	24
1	Top	11 3/16	31 1/2

32x24x12 Wall

Quan	Part	Width	Length
1	Adjustable Shelf	10 15/16	30 1/2
1	Bottom	11 3/16	30 1/2
2	Door Slab	15 7/8	23 3/4
1	Finished Left End	11 15/16	24
1	Finished Right End	11 15/16	24
1	Interior Back	30 1/2	24
1	Top	11 3/16	30 1/2

31x24x12 Wall

Quan	Part	Width	Length
1	Adjustable Shelf	10 15/16	29 1/2
1	Bottom	11 3/16	29 1/2
2	Door Slab	15 3/8	23 3/4
1	Finished Left End	11 15/16	24
1	Finished Right End	11 15/16	24
1	Interior Back	29 1/2	24
1	Top	11 3/16	29 1/2

30x24x12 Wall

Quan	Part	Width	Length
1	Adjustable Shelf	10 15/16	28 1/2
1	Bottom	11 3/16	28 1/2
2	Door Slab	14 7/8	23 3/4
1	Finished Left End	11 15/16	24
1	Finished Right End	11 15/16	24
1	Interior Back	28 1/2	24
1	Top	11 3/16	28 1/2

29x24x12 Wall

Quan	Part	Width	Length
1	Adjustable Shelf	10 15/16	27 1/2
1	Bottom	11 3/16	27 1/2
2	Door Slab	14 3/8	23 3/4
1	Finished Left End	11 15/16	24
1	Finished Right End	11 15/16	24
1	Interior Back	27 1/2	24
1	Top	11 3/16	27 1/2

Double Door Wall Cabinet 24"-36"

28x24x12 Wall

Quan	Part	Width	Length
1	Adjustable Shelf	10 15/16	26 1/2
1	Bottom	11 3/16	26 1/2
2	Door Slab	13 7/8	23 3/4
1	Finished Left End	11 15/16	24
1	Finished Right End	11 15/16	24
1	Interior Back	26 1/2	24
1	Top	11 3/16	26 1/2

24x24x12 Wall

Quan	Part	Width	Length
1	Adjustable Shelf	10 15/16	22 1/2
1	Bottom	11 3/16	22 1/2
2	Door Slab	11 7/8	23 3/4
1	Finished Left End	11 15/16	24
1	Finished Right End	11 15/16	24
1	Interior Back	22 1/2	24
1	Top	11 3/16	22 1/2

27x24x12 Wall

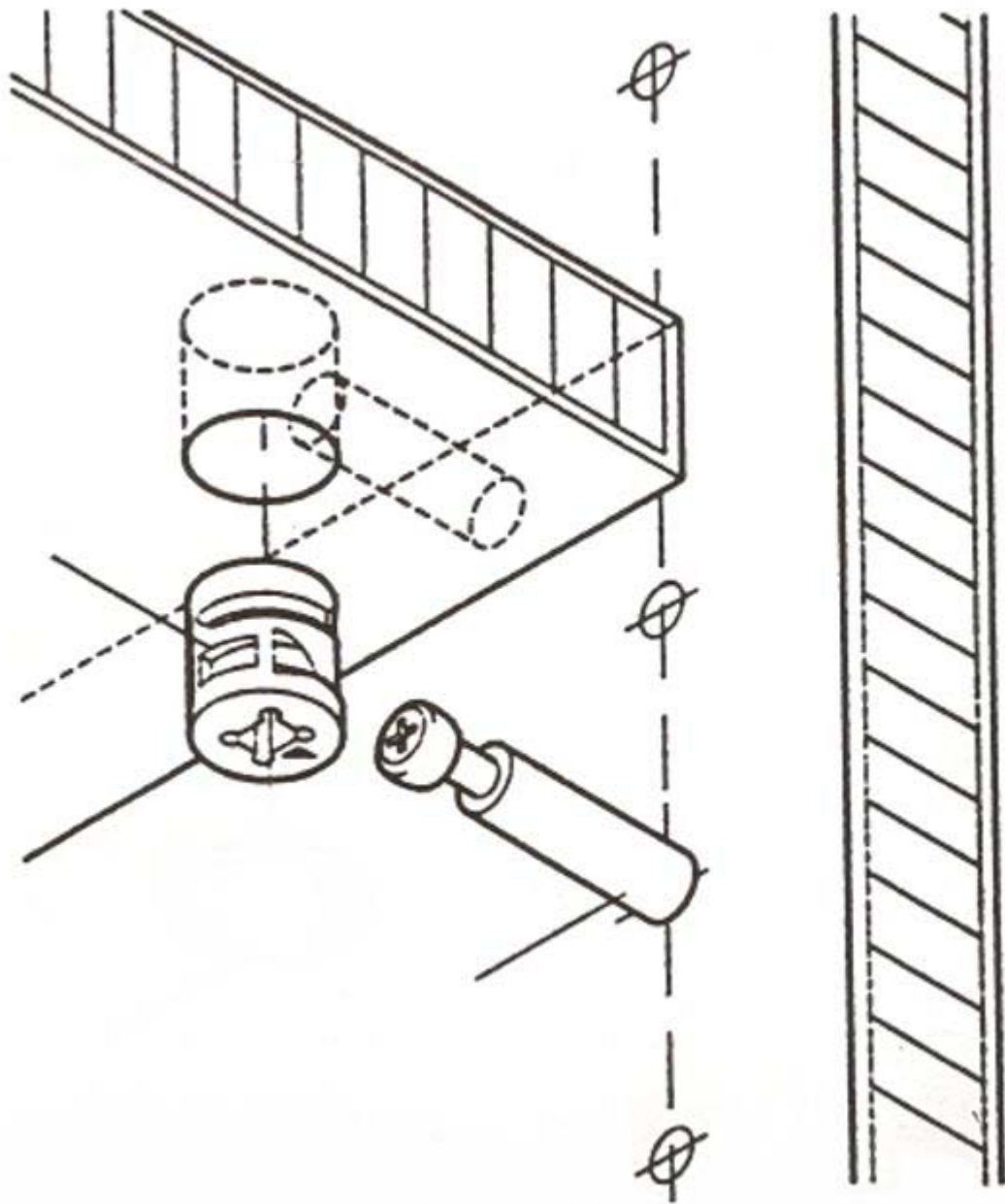
Quan	Part	Width	Length
1	Adjustable Shelf	10 15/16	25 1/2
1	Bottom	11 3/16	25 1/2
2	Door Slab	13 3/8	23 3/4
1	Finished Left End	11 15/16	24
1	Finished Right End	11 15/16	24
1	Interior Back	25 1/2	24
1	Top	11 3/16	25 1/2

26x24x12 Wall

Quan	Part	Width	Length
1	Adjustable Shelf	10 15/16	24 1/2
1	Bottom	11 3/16	24 1/2
2	Door Slab	12 7/8	23 3/4
1	Finished Left End	11 15/16	24
1	Finished Right End	11 15/16	24
1	Interior Back	24 1/2	24
1	Top	11 3/16	24 1/2

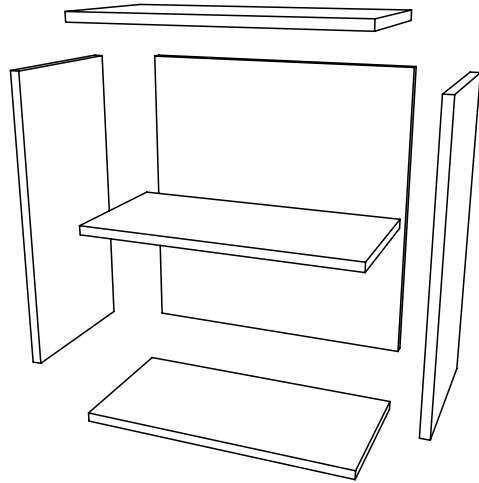
25x24x12 Wall

Quan	Part	Width	Length
1	Adjustable Shelf	10 15/16	23 1/2
1	Bottom	11 3/16	23 1/2
2	Door Slab	12 3/8	23 3/4
1	Finished Left End	11 15/16	24
1	Finished Right End	11 15/16	24
1	Interior Back	23 1/2	24
1	Top	11 3/16	23 1/2

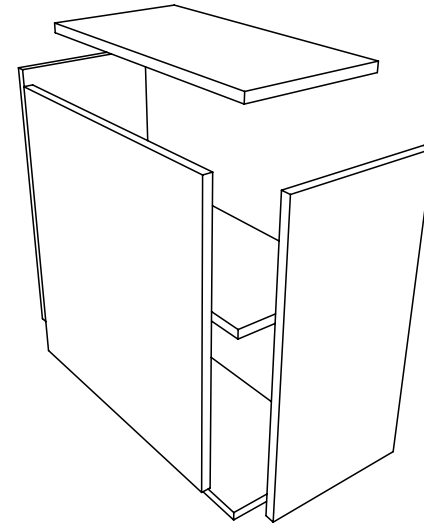


Typical Pin & Cam Installation

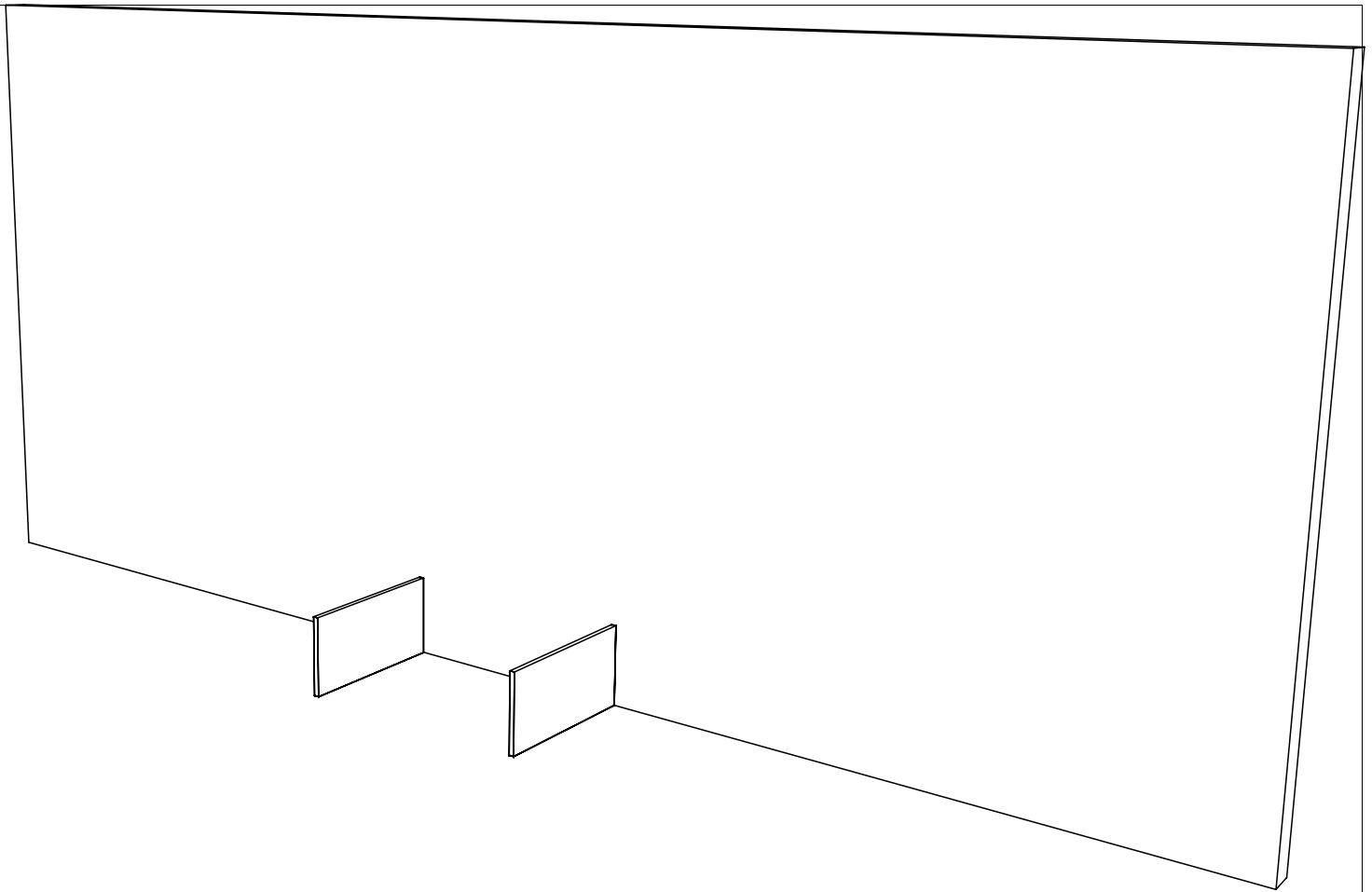
Front View



Rear View

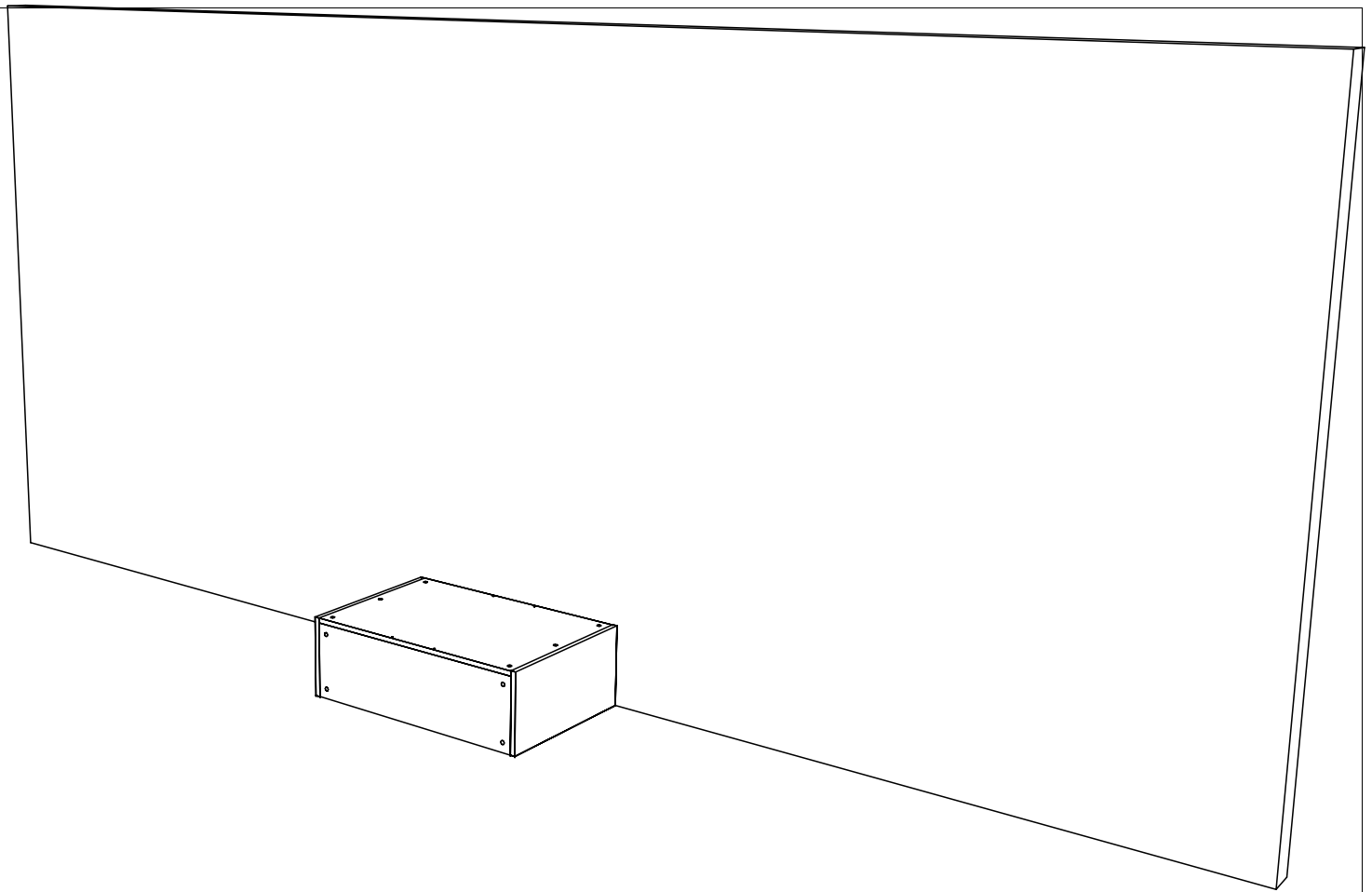


When Assembling The Cabinet Parts, The 1st Thing Is To Assemble The Bottom, Top & Back To The Sides.

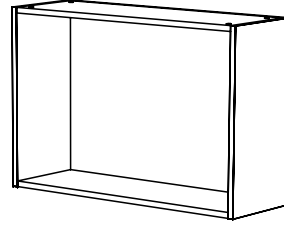


Lay Down Both Sides Of The Cabinet, You Want The Front Face Touching The Floor. Install All Pins & Hinges Plates Into The Sides At This Point.

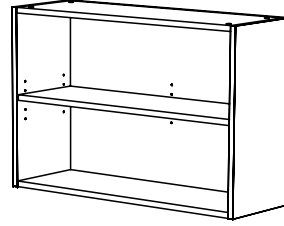
Note: Place Cardboard Or A Blanket Down On The Floor, Before Laying Cabinet Sides Down On The Floor.



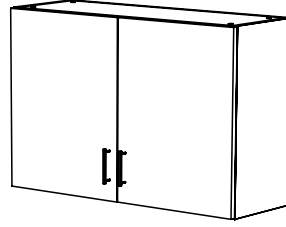
Place The Top, Bottom & Back Between The 2 Sides And Slide On The Pins,
Do Not Tighten The Pins & Cams Until All Are Into Position And Then Tighten
All Of Them.



After Tightening The Pins & Cams, Then Stand Up The Cabinet To The Wall.
Move The Cabinet Into The Exact Location That You Want It To Be Along
The Wall.

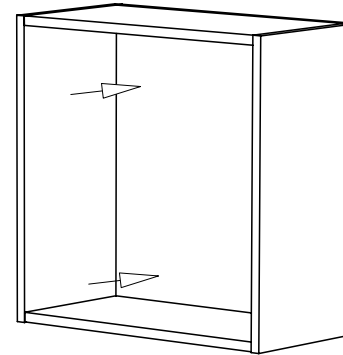


Now Install The Adjustable Shelves Into Place. Most Often Use The Center Hole, Or Move If Needed. The Standard is 5 Holes Per Adjustable Shelf.



Now That The Cabinet Is Assembled, You Are Ready To Start The Assembly Of The Doors.

Use 2 1/2" Screws For Wood Studs



Note: Use 2 Screws Per Stud
Best If Studs Are On 16" Centers

Note: Wall Cabinet Has To Be Plumb & Level, Before Securing It To The Wall.

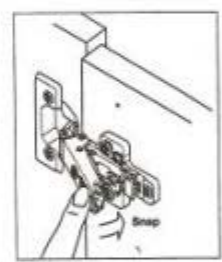
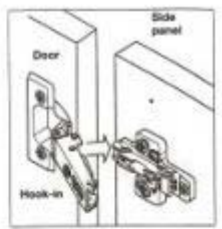
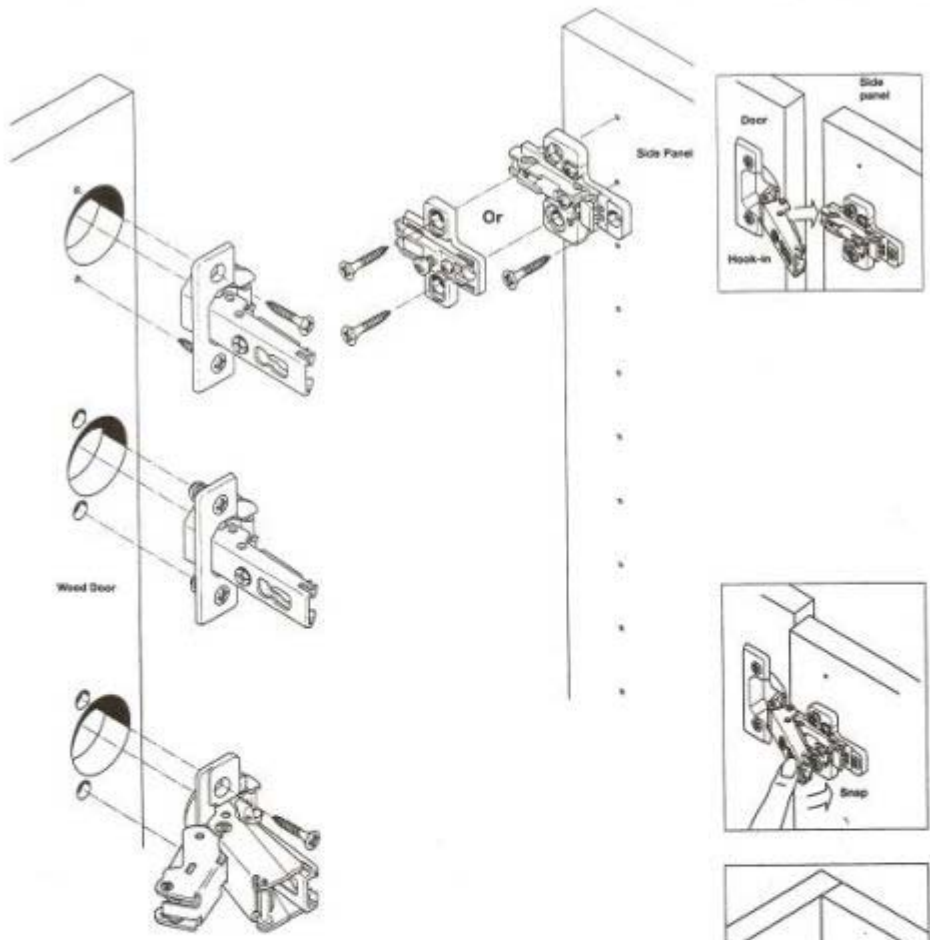
Now That The Wall Cabinet Is Standing Up And Is In The Correct Location, You Will Need To Secure It To The Wall. Depending On Your Wall Construction, You Will Need To Choose The Type Of Fastener To Safely Secure The Wall Cabinet To The Wall.

--- Typical Wall Construction ---

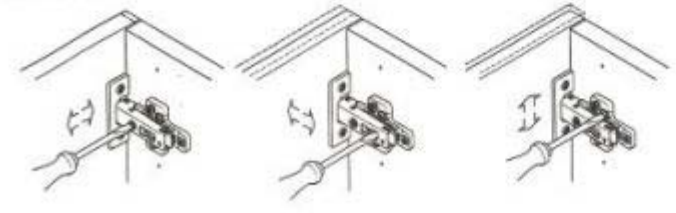
2x4 Wood Stud (Use 2 1/2" Drywall Screws)

Concrete (Use 2" Tap Con Screws)

Metal Studs (We Discourage Using Metal Studs)



Adjustments



Horizontal
by screw adjustment

In and out
by loosening the hinge-arm
mounting screw

Vertical
via slots in the mounting plate

Dimensional data not binding.
We reserve the right to alter
specifications without notice.

Dimensions in mm

