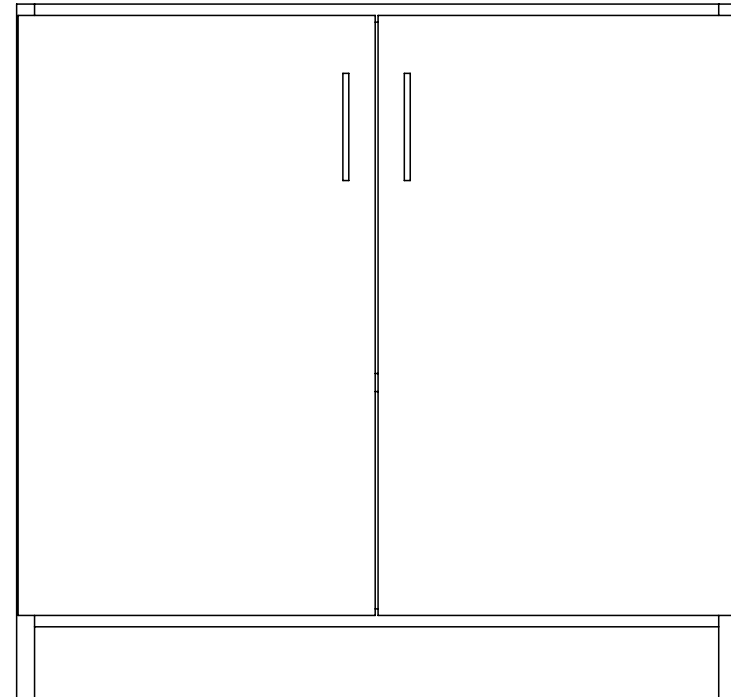


Base Office Full Height Door Cabinet

S2 30 W - 29 T - 20 D



Note: Sizes Can Be Ordered That Are Different Than What Is Above, Call For Details.

Name:	Address:	ARCHITECTURAL CABINetry <hr/> Murphybed, Panelbed, Home Office & Closets 790 Big Tree Drive Longwood, FL 32750 www.panelbed.com 407-331-0600 Fax: 407-331-1800
Phone:	Address:	
Job: office instructions base s2	City: _____, Zip: _____	
Handle:		

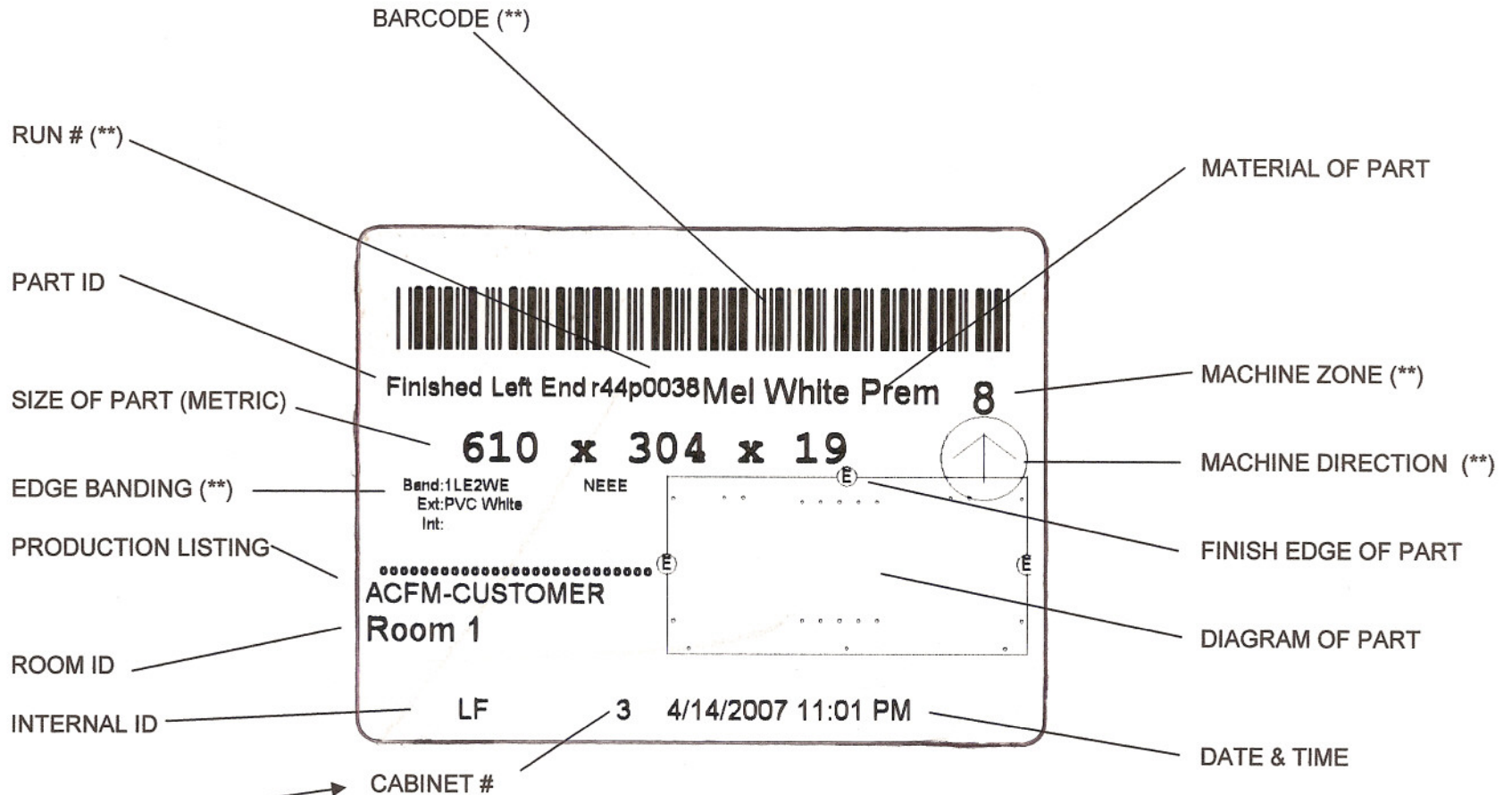
Double Full Height Door Base Cabinet

30" W x 29" T x 20" D Base "S2"

Quan	Part	Width	Length
1	Adjustable Shelf	20	28 1/2
1	Deck	20	28 1/2
2	Door Slab	17 7/8	25
1	Finished Left End	20	29
1	Finished Right End	20	29
1	Front Toe	3 1/16	28 1/2
1	Top	20	28 1/2

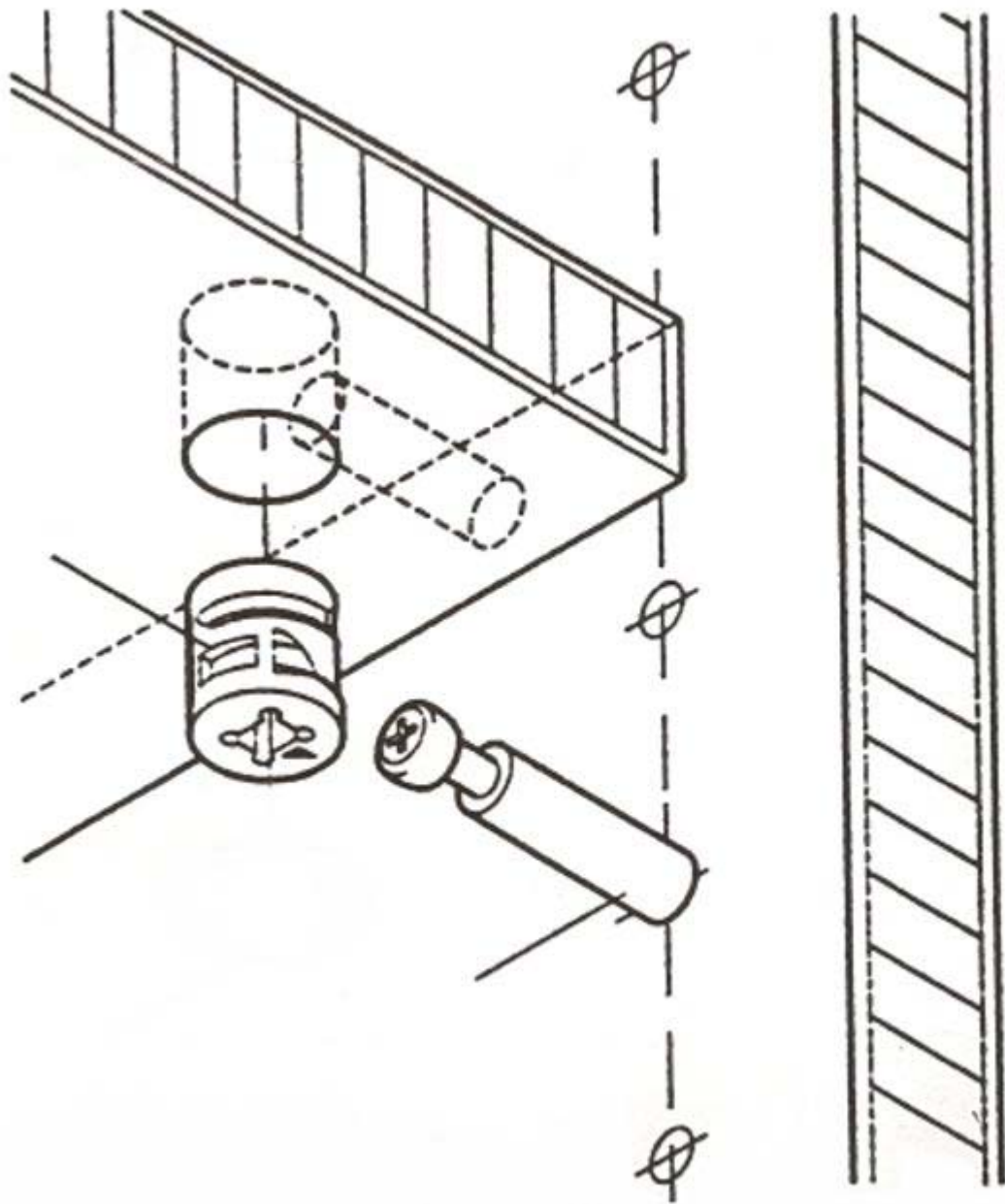
LABEL INFORMATION

THIS PAGE IS FOR UNDERSTANDING THE LABEL ON EACH PART, THIS ALLOWS YOU TO KNOW WHAT INFORMATION THIS PART HAS AND HOW IT PERTAINS TO YOUR ORDER.

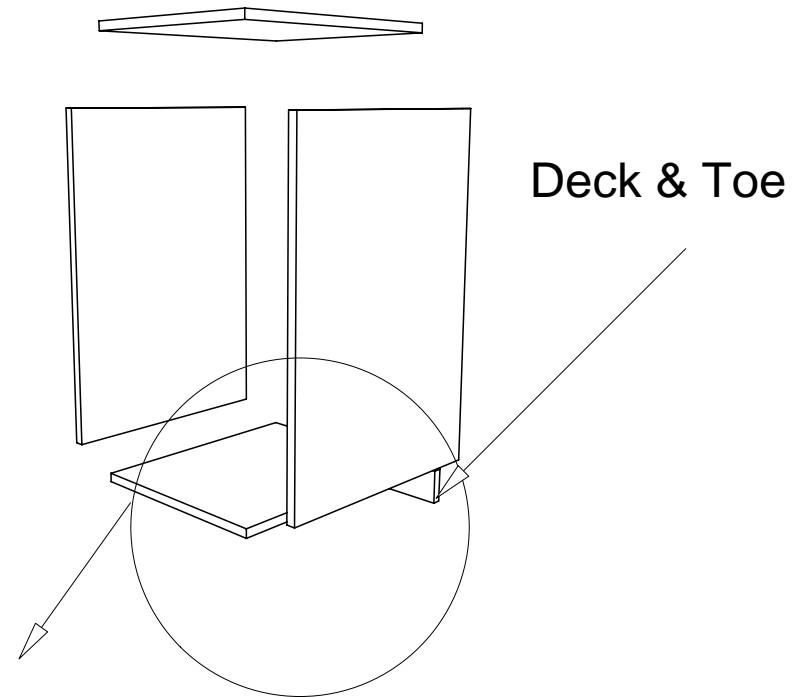
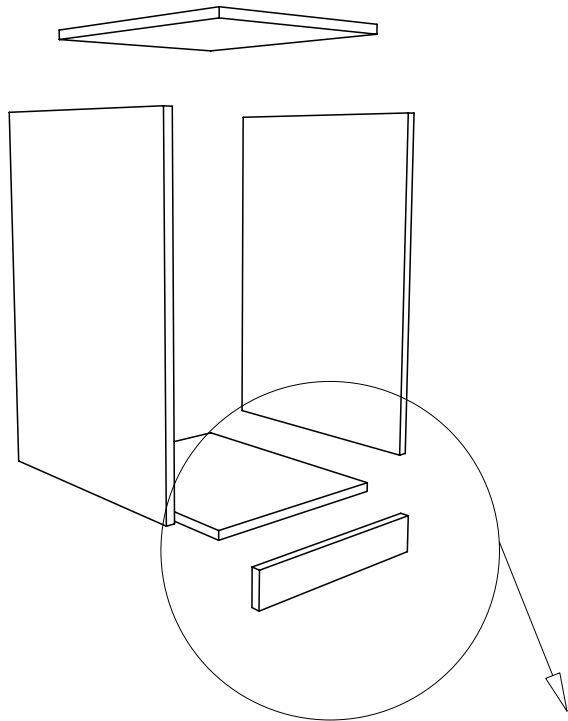


***** WE RECOMMEND THE 1ST THING YOU DO, IS TO SORT ALL YOUR PARTS BY (CABINET #) *****
THIS ENABLES YOU TO SEE ALL THE PARTS FOR EACH CABINET AND MAKES ASSEMBLE EASIER

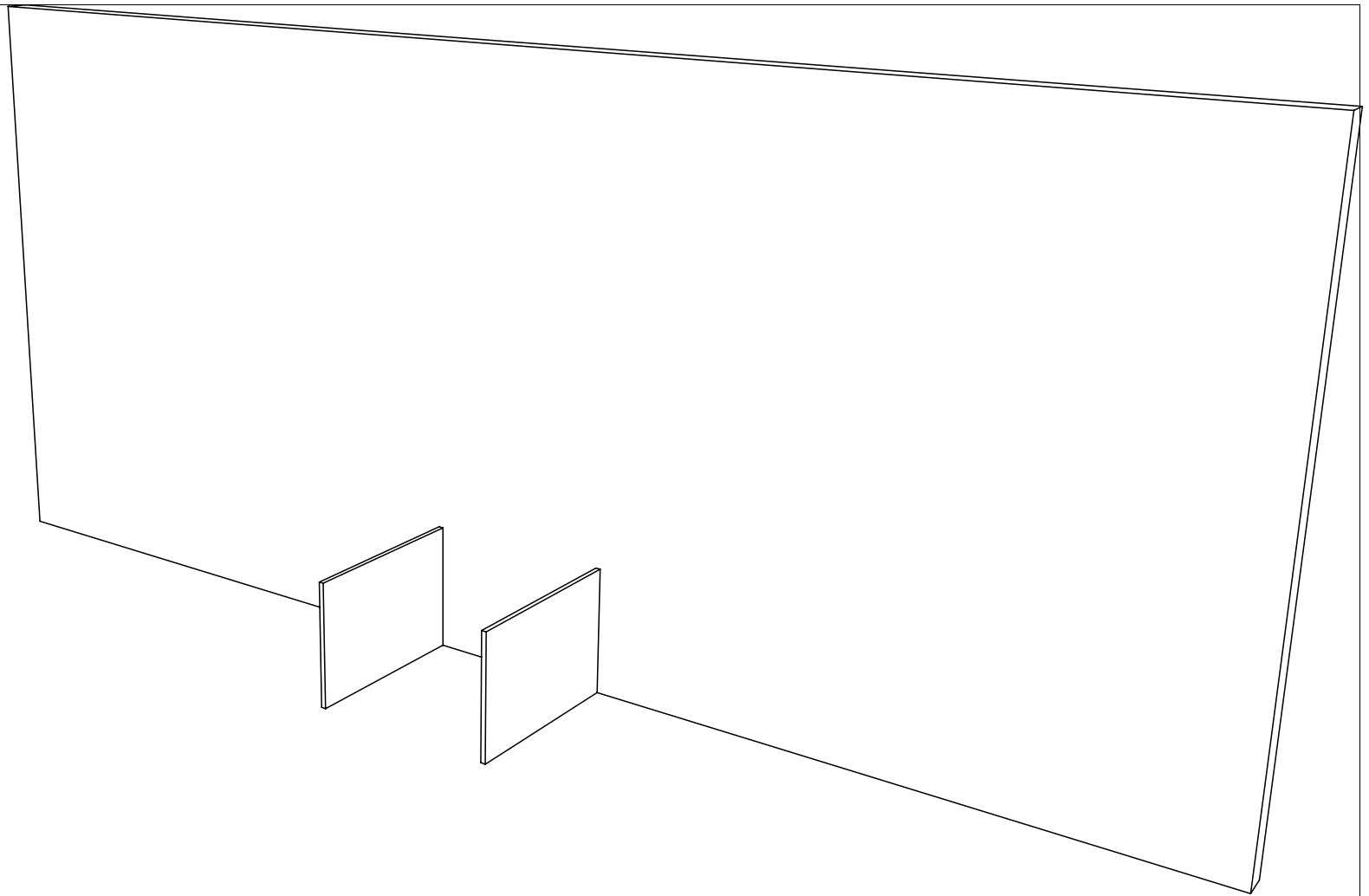
ANY NOTATION WITH (**) IS INFORMATION USED IN FOR FACTORY AND WOULD NOT HELP YOU



Typical Pin & Cam Installation

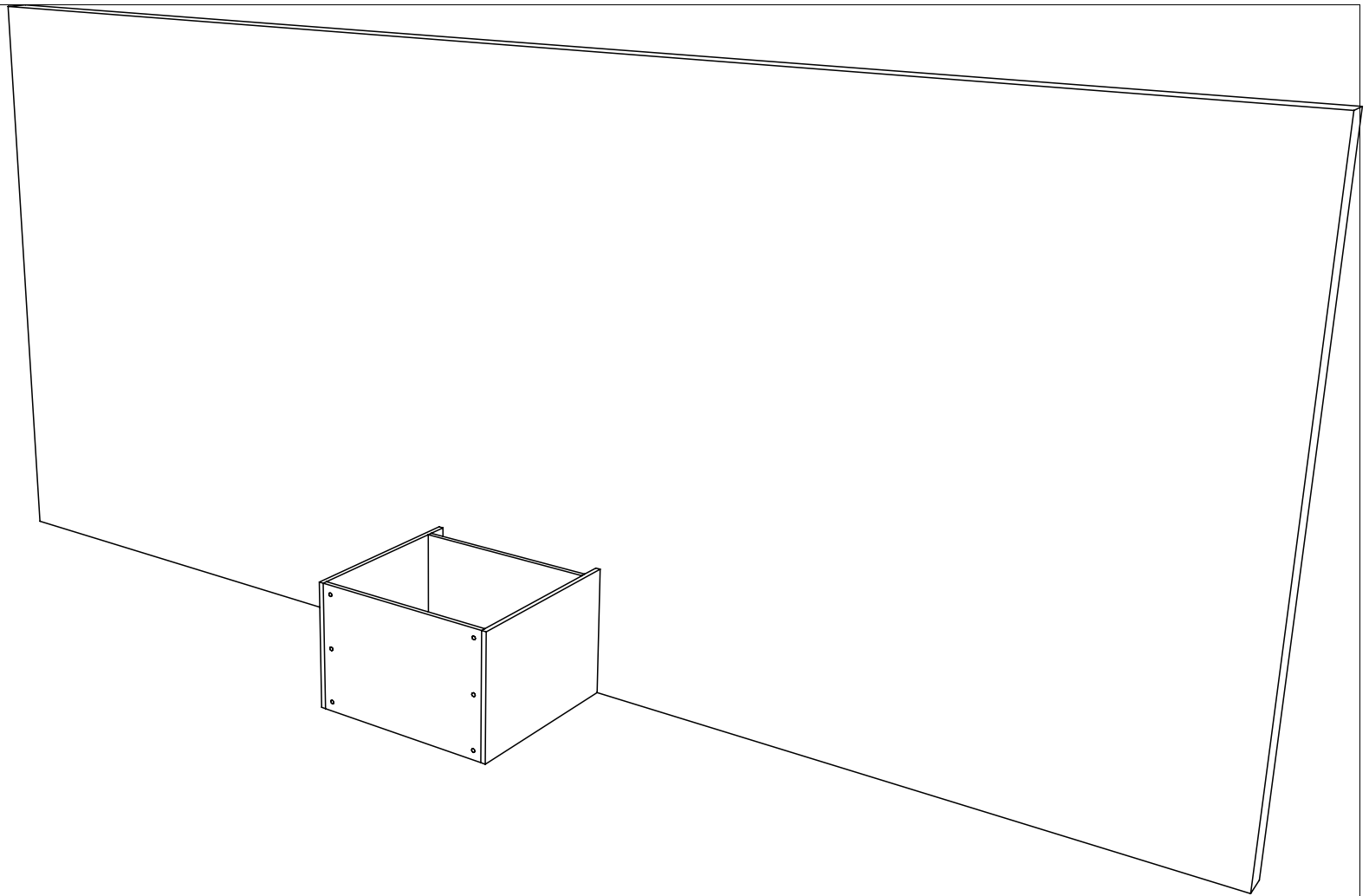


When Assembling The Cabinet Parts, The 1st Thing Is To Assemble The Bottom Of The Cabinet. You Will Connect The Deck & Toe Together.

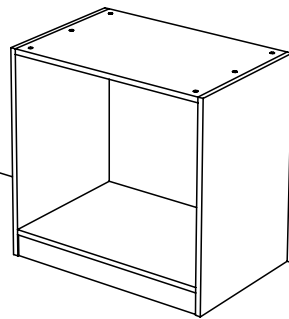


Now That The Top Of The Cabinet Is Assembled, Lay Down Both Sides Of The Cabinet, You Want The Front Face Touching The Floor. Install All Pins, Hinges Plates & Drawer Guides Into The Sides At This Point.

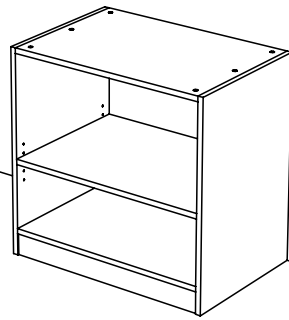
Note: Place Cardboard Or A Blanket Down On The Floor, Before Laying Cabinet Sides Down On The Floor.



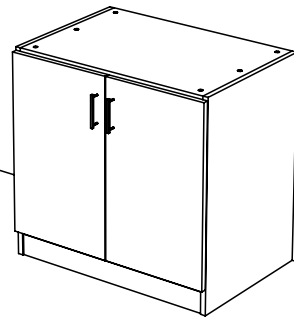
Place The Top and Bottom Deck Between The 2 Sides And Slide On The Pins,
Do Not Tighten The Pins & Cams Until both Are Into Position And Then Tighten
Both Of Them.



After Tightening The Pins & Cams, Then Stand Up The Cabinet To The Wall.
Move The Cabinet Into The Exact Location That You Want It To Be Along
The Wall.

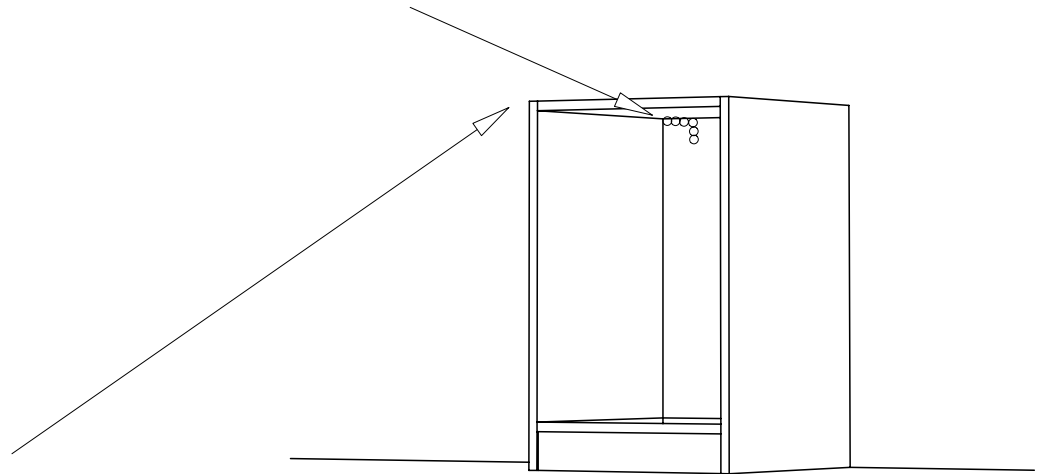


Now Install The Adjustable Shelf Into Place. Most Often Use The Center Hole, Or Move If Needed. The Standard Is 5 Holes Per Adjustable Shelf.



Now That The Cabinet Is Assembled, You Are Ready To Start The Assembly Of The Doors.

Use 1.5 x 1.5 "L" Brackets & Screws



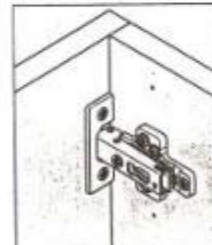
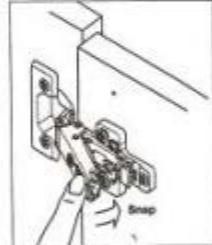
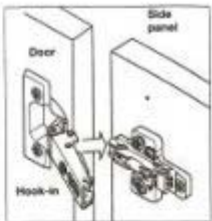
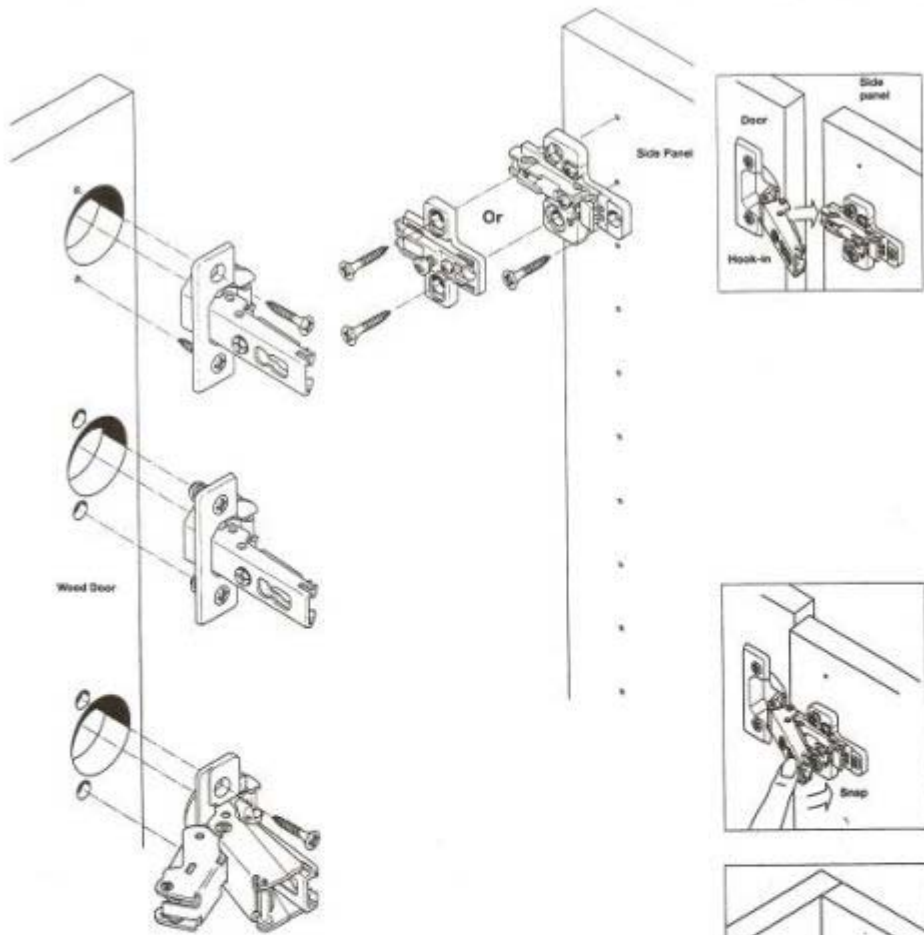
Note: Use 2 Screws Per Stud
Best If Studs Are On 16" Centers

Note: Base Cabinet Has To Be Plumb & Level, Before Securing It To The Wall.

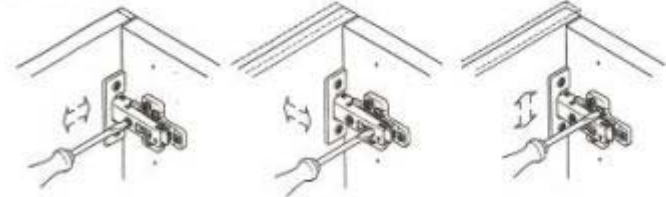
Now That The Base Cabinet Is Standing Up And Is In The Correct Location, You Will Need To Secure It To The Wall. Depending On Your Wall Construction, You Will Need To Choose The Type Of Fastener To Safely Secure The Base Cabinet To The Wall

--- Typical Wall Construction ---

2x4 Wood Stud (Use 2 1/2" Drywall Screws)
Concrete (Use 2" Tap Con Screws)



Adjustments



Horizontal
by screw adjustment

In and out
by loosening the hinge-arm
mounting screw

Vertical
via slots in the mounting plate

Dimensional data not binding.
We reserve the right to alter
specifications without notice.

Dimensions in mm

