

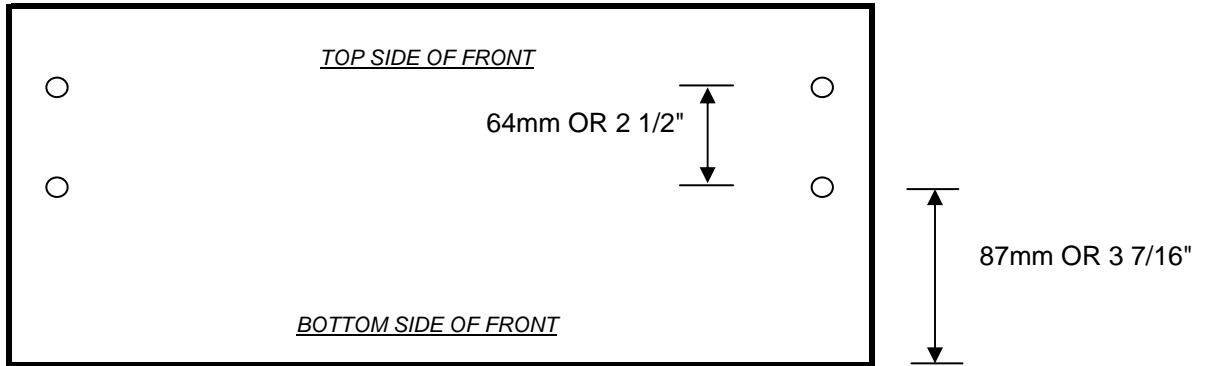
# Metabox Drawer Box Assembly & Front for Large Interior Drawer box

Architectural Cabinetry & Furniture Mfg. Inc.

Longwood, FL 32750

[www.PanelBed.com](http://www.PanelBed.com)

888-Diy-Beds (888-349-2337)



All unassembled parts including the drawer front



All unassembled parts for the complete drawer box assembly



Both prongs are inserted into the back holes and the front hole will be for a euro screw to hold the bottom in place



Place euro screw in front hole to secure the bottom



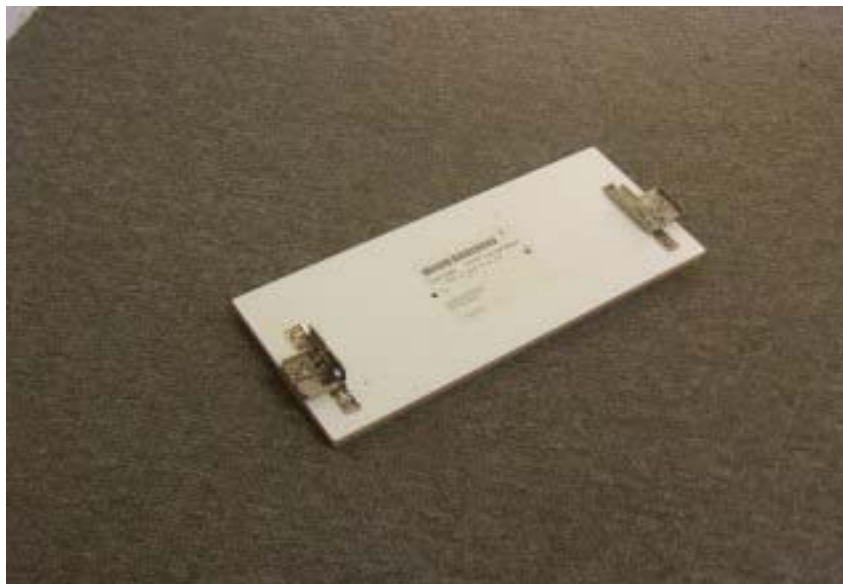
After both sides are screwed into place and are secure add back



Now drawer box assembly is complete and ready to attach the front



Insert Fixing Brackets into drawer front and drive in screws to secure them.



The drawer front is ready to attach to drawer assembly.



Place front onto drawer box assembly with clip in the open position.



With your fingers, just push the clip to close and secure the front to the drawer box assembly.



Attach the runner inside the cabinet for drawer box assembly to roll into.